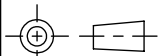
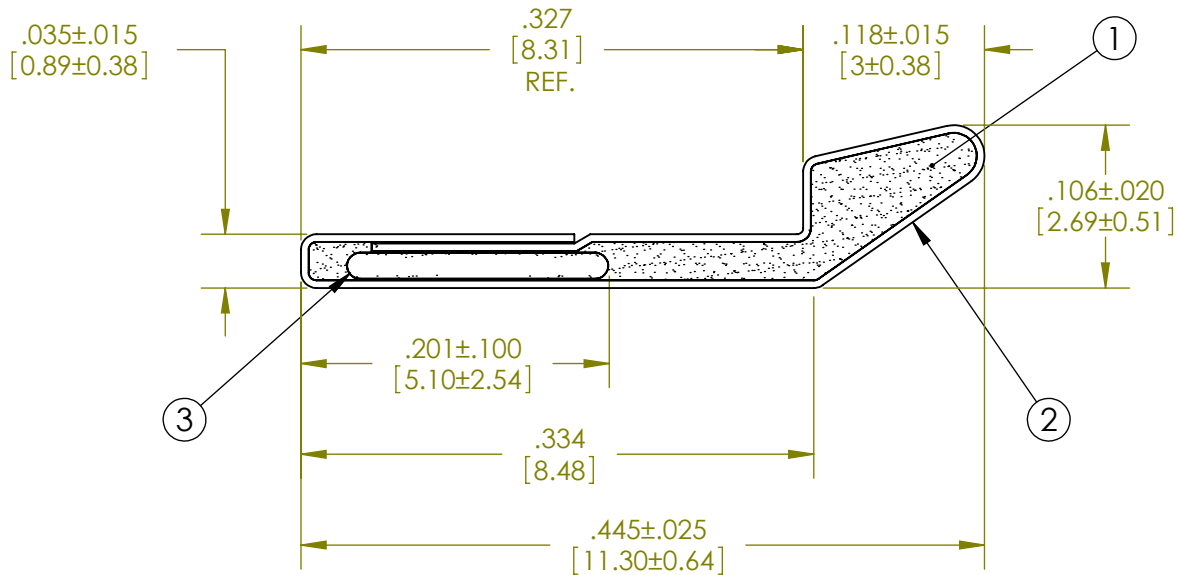
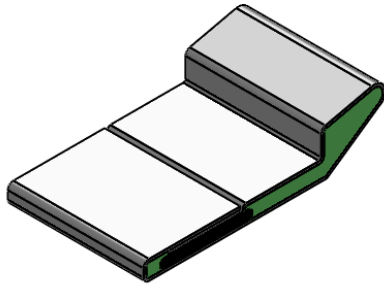


Level		Date	By
Ⓓ	REV PER ECO 2056	11/30/98	EL
Ⓔ	ADDED .118 DIM	12/22/98	EL
Ⓕ	REV TO SOLIDWORKS	10/5/09	BEP
Ⓖ	REV PER ECO 0109	08/04/10	RDL

ROCHESTER DIVISION PRODUCT PRINT

The information disclosed in this drawing is confidential and the property of Schlegel Electronic Materials, INC. The use, disclosure, or reproduction of this information and related know-how is prohibited without written permission from Schlegel Electronic Materials, INC.



TOLERANCES
 Profile thickness: $\pm .020$ " (0.51mm)
 Profile width: $\pm .025$ " (0.64mm)



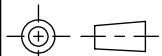
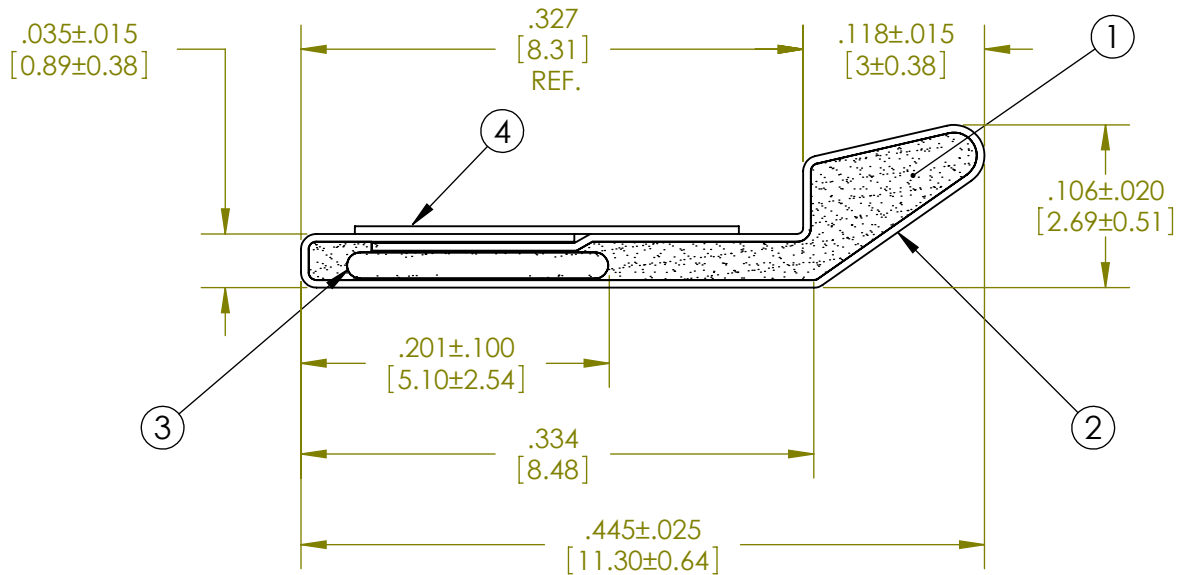
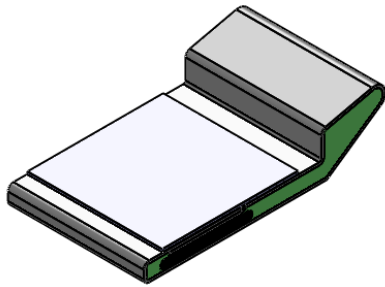
SCALE 1:1

PDR NO.:			
QUOTE NO.:	③	SEE B.O.M.	POLYCARBONATE INSERT .170" WIDE
CUSTOMER NAME:	②	SEE B.O.M.	CONDUCTIVE FABRIC
CUST DWG NO.:	①	SEE B.O.M.	URETHANE FOAM
SIZE	Date	11/30/1998	
A	SHEET 1 OF 2		Item No. RM Number Material Description
SCALE: 8:1	Approved By	Drawn By EL	Title 2.7mm x 11.3mm KNIFE EDGE EMI
Cad File No. UP04141G	Part No. E67xxXxxxxx	Dwg. No. UP3E0414	Rev. G

Level		Date	By
Ⓓ	REV PER ECO 2056	11/30/98	EL
Ⓔ	ADDED .118 DIM	12/22/98	EL
Ⓕ	REV TO SOLIDWORKS	10/5/09	BEP
Ⓖ	REV PER ECO 0109	08/04/10	RDL

ROCHESTER DIVISION PRODUCT PRINT

The information disclosed in this drawing is confidential and the property of Schlegel Electronic Materials, INC. The use, disclosure, or reproduction of this information and related know-how is prohibited without written permission from Schlegel Electronic Materials, INC.



TOLERANCES
 Profile thickness: $\pm .020$ " (0.51mm)
 Profile width: $\pm .025$ " (0.64mm)



SCALE 1:1

PDR NO.:	Ⓓ	SEE B.O.M.	PSA .250" WIDE (UNLESS OTHERWISE SPECIFIED)
QUOTE NO.:	Ⓕ	SEE B.O.M.	POLYCARBONATE INSERT .170" WIDE
CUSTOMER NAME:	Ⓔ	SEE B.O.M.	CONDUCTIVE FABRIC
CUST DWG NO.:	Ⓓ	SEE B.O.M.	URETHANE FOAM
SIZE	Date	11/30/1998	
A	SHEET 2 OF 2		Material Description
SCALE: 8:1	Approved By	Drawn By EL	Title 2.7mm x 11.3mm KNIFE EDGE EMI
Cad File No. UP04141F	Part No. E67xxTxxxxx	Dwg. No. UP3E0414	Rev. G