

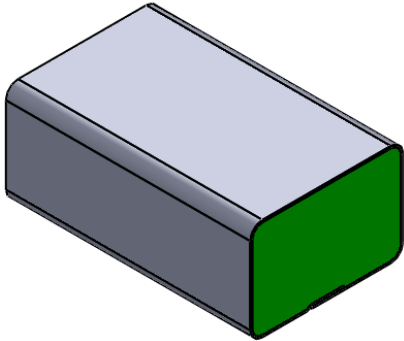


Revisions

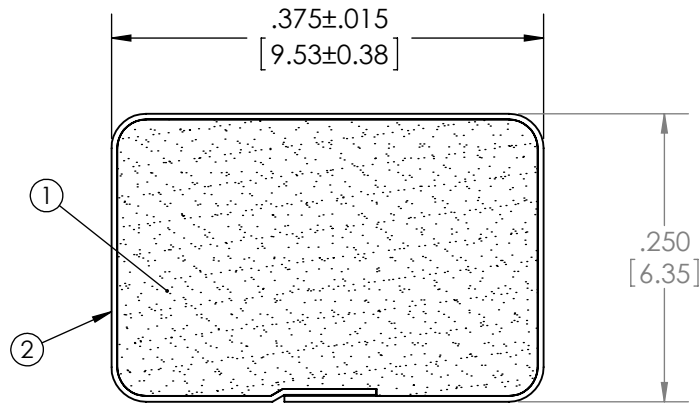
Level		Date	By
(E)	REV PER ECO 2056	4/13/99	EJL
(F)	REV PER ECO 2118	6/14/99	CMH
(G)	REV PER MARKETING REQUIREMENT	2/3/03	EJL
(H)	REV TO SOLIDWORKS	12/17/10	RDL

ROCHESTER DIVISION PRODUCT PRINT

The information disclosed in this drawing is confidential and the property of Schlegel Electronic Materials, INC. The use, disclosure, or reproduction of this information and related know-how is prohibited without written permission from Schlegel Electronic Materials, INC.



- NOTES:
 1) REFERENCE DIMENSIONS (REF) HAVE NO TOLERANCE AND ARE FOR INFORMATIVE PURPOSES ONLY.
 2) FOR ALL MISSING DIMENSIONS 3D CAD FILES SHOULD BE USED.
 3) UNLESS OTHERWISE SPECIFIED INTERPRET TOLERANCES ACCORDING TO ISO 2768C.



TOLERANCES

Profile thickness: ± 0.015 " (0.38mm)
 Profile width: ± 0.015 " (0.38mm)



SCALE 1:1

DIMS: MILLIMETERS <input checked="" type="checkbox"/> INCHES <input checked="" type="checkbox"/>		<input checked="" type="checkbox"/> <input type="checkbox"/>		(4)		
PDR NO.:				(3)		
CUSTOMER NAME:				(2)	SEE B.O.M.	CONDUCTIVE FABRIC
CUST DWG NO.:				(1)	SEE B.O.M.	URETHANE FOAM
SIZE A	Date 2/1/1989	SHEET 1 OF 2		Item No.	RM Number	Material Description
SCALE: 6:1	Approved By			Drawn By EJL	Title 6.4mm x 9.5mm EMI	
Cad File No. CC87591A	Part No. E66			Dwg. No. UP3E0285	Rev. H	

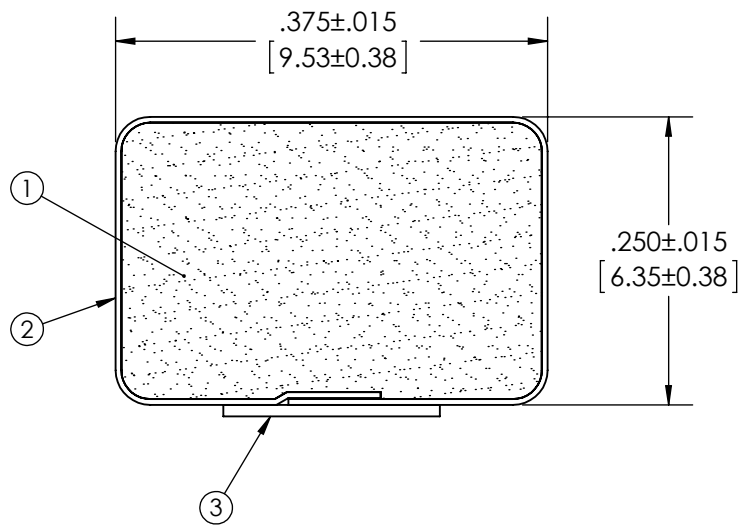
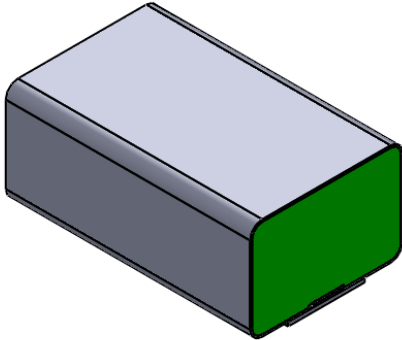
Level		Date	By
(E)	REV PER ECO 2056	4/13/99	EJL
(F)	REV PER ECO 2118	6/14/99	CMH
(G)	REV PER MARKETING REQUIREMENT	2/3/03	EJL
(H)	REV TO SOLIDWORKS	12/17/10	RDL

ROCHESTER DIVISION PRODUCT PRINT

The information disclosed in this drawing is confidential and the property of Schlegel Electronic Materials, INC. The use, disclosure, or reproduction of this information and related know-how is prohibited without written permission from Schlegel Electronic Materials, INC.

NOTES:

- 1) REFERENCE DIMENSIONS (REF) HAVE NO TOLERANCE AND ARE FOR INFORMATIVE PURPOSES ONLY.
- 2) FOR ALL MISSING DIMENSIONS 3D CAD FILES SHOULD BE USED.
- 3) UNLESS OTHERWISE SPECIFIED INTERPRET TOLERANCES ACCORDING TO ISO 2768C.



TOLERANCES

Profile thickness: ±.015" (0.38mm)
 Profile width: ±.015" (0.38mm)



SCALE 1:1

DIMS: MILLIMETERS <input checked="" type="checkbox"/> INCHES <input checked="" type="checkbox"/>		<input checked="" type="checkbox"/> <input type="checkbox"/>		(4)		
PDR NO.:		(3)		SEE B.O.M.	PSA .188" WIDE UNLESS OTHERWISE SPECIFIED	
CUSTOMER NAME:		(2)		SEE B.O.M.	CONDUCTIVE FABRIC	
CUST DWG NO.:		(1)		SEE B.O.M.	URETHANE FOAM	
SIZE	Date	SHEET 2 OF 2		Item No.	RM Number	Material Description
A	2/1/1989					
SCALE:	6:1	Approved By		Drawn By	EJL	Title
						6.4mm x 9.5mm EMI
Cad File No.	CC87591A	Part No.	E66	Dwg. No.	UP3E0285	Rev.
						H