

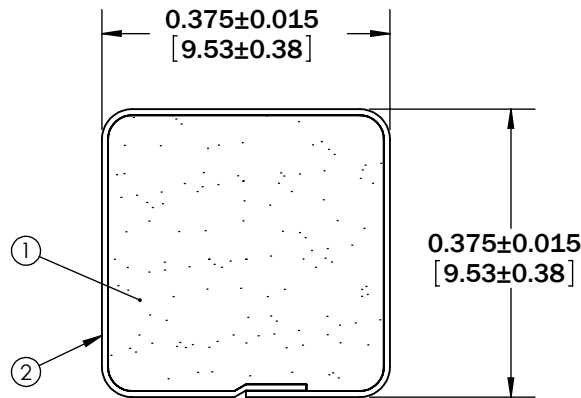
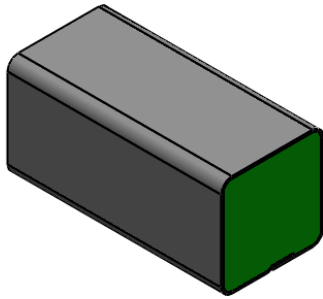


Revisions

Level		Date	By
○	RELEASE	11/18/98	EJL
ⓓ	REV PER ECO 2056	11/18/98	EJL
ⓔ	UPDATE SHEET FORMAT	3/23/09	BEP
ⓕ			

ROCHESTER DIVISION PRODUCT PRINT

The information disclosed in this drawing is confidential and the property of Schlegel Electronic Materials, INC. The use, disclosure, or reproduction of this information and related know-how is prohibited without written permission from Schlegel Electronic Materials, INC.



TOLERANCES
 Profile thickness: ± 0.015 " (0.38mm)
 Profile width: ± 0.015 " (0.38mm)



SCALE 1:1

PDR NO.:	④		
QUOTE NO.:	③		
CUSTOMER NAME:	②	SEE B.O.M.	CONDUCTIVE FABRIC
CUST DWG NO.:	①	SEE B.O.M.	URETHANE FOAM
SIZE A	Date	11/18/1998	
	SHEET 1 OF 3		Item No. RM Number Material Description
SCALE: 4:1	Approved By	Drawn By EJL	Title 9.5mm x 9.5mm EMI
Cad File No. UP02781E	Part No. E63xxXxxxxx	Dwg. No. UP3E0278	Rev. E

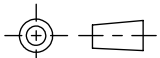
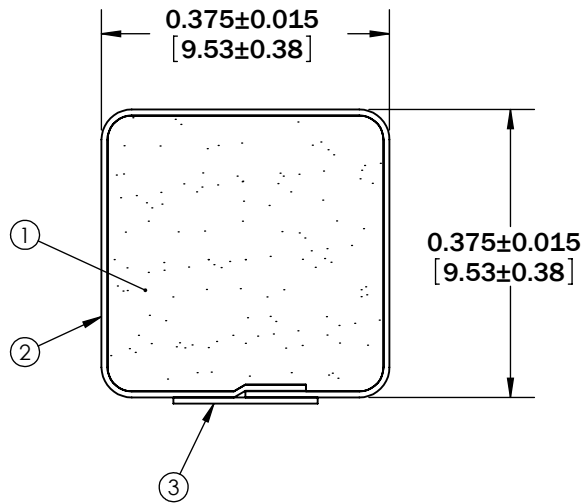
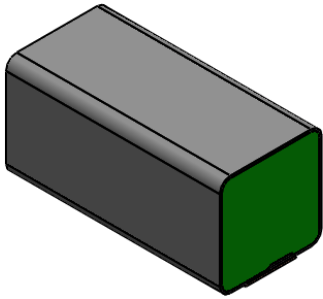


Revisions

Level		Date	By
○	RELEASE	11/18/98	EJL
ⓓ	REV PER ECO 2056	11/18/98	EJL
ⓔ	UPDATE SHEET FORMAT	3/23/09	BEP
ⓕ			

ROCHESTER DIVISION PRODUCT PRINT

The information disclosed in this drawing is confidential and the property of Schlegel Electronic Materials, INC. The use, disclosure, or reproduction of this information and related know-how is prohibited without written permission from Schlegel Electronic Materials, INC.



TOLERANCES
 Profile thickness: ± 0.015 " (0.38mm)
 Profile width: ± 0.015 " (0.38mm)



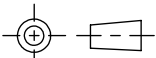
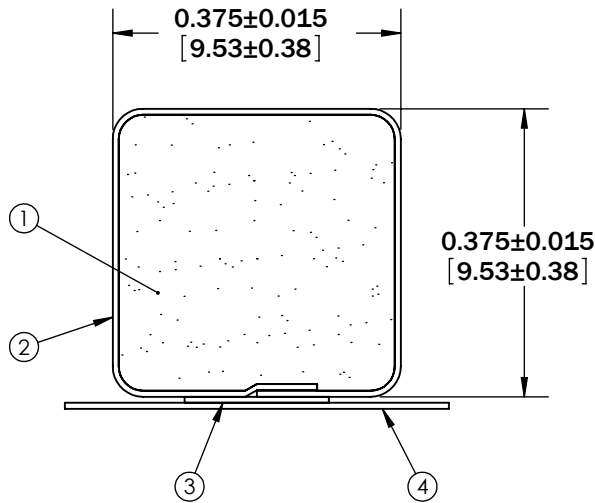
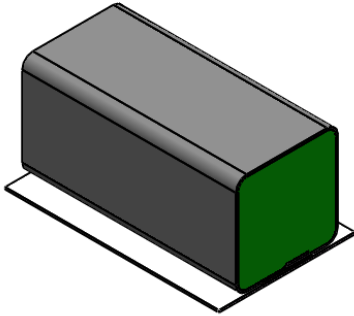
SCALE 1:1

PDR NO.:	④		
QUOTE NO.:	③	SEE B.O.M.	PSA .188" WIDE (UNLESS OTHERWISE SPECIFIED)
CUSTOMER NAME:	②	SEE B.O.M.	CONDUCTIVE FABRIC
CUST DWG NO.:	①	SEE B.O.M.	URETHANE FOAM
SIZE	Date	11/18/1998	
A	SHEET 2 OF 3		Item No. RM Number Material Description
SCALE: 4:1	Approved By	Drawn By EJL	Title 9.5mm x 9.5mm EMI
Cad File No. UP02781E	Part No. E63xxTxxxxx	Dwg. No. UP3E0278	Rev. E

Level		Date	By
○	RELEASE	11/18/98	EJL
ⓓ	REV PER ECO 2056	11/18/98	EJL
ⓔ	UPDATE SHEET FORMAT	3/23/09	BEP
ⓕ			

ROCHESTER DIVISION PRODUCT PRINT

The information disclosed in this drawing is confidential and the property of Schlegel Electronic Materials, INC. The use, disclosure, or reproduction of this information and related know-how is prohibited without written permission from Schlegel Electronic Materials, INC.



TOLERANCES
 Profile thickness: ±.015" (0.38mm)
 Profile width: ±.015" (0.38mm)



SCALE 1:1

PDR NO.:	④	SEE B.O.M.	RELEASE LINER .500" WIDE (UNLESS OTHERWISE SPECIFIED)
QUOTE NO.:	③	SEE B.O.M.	PSA .188" WIDE (UNLESS OTHERWISE SPECIFIED)
CUSTOMER NAME:	②	SEE B.O.M.	CONDUCTIVE FABRIC
CUST DWG NO.:	①	SEE B.O.M.	URETHANE FOAM
SIZE	Date	11/18/1998	
A	SHEET 3 OF 3		
SCALE: 4:1	Approved By	Drawn By EJL	Title 9.5mm x 9.5mm EMI
Cad File No. UP02781E	Part No. E63xxZxxxxx	Dwg. No. UP3E0278	Rev. E