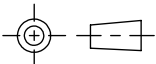
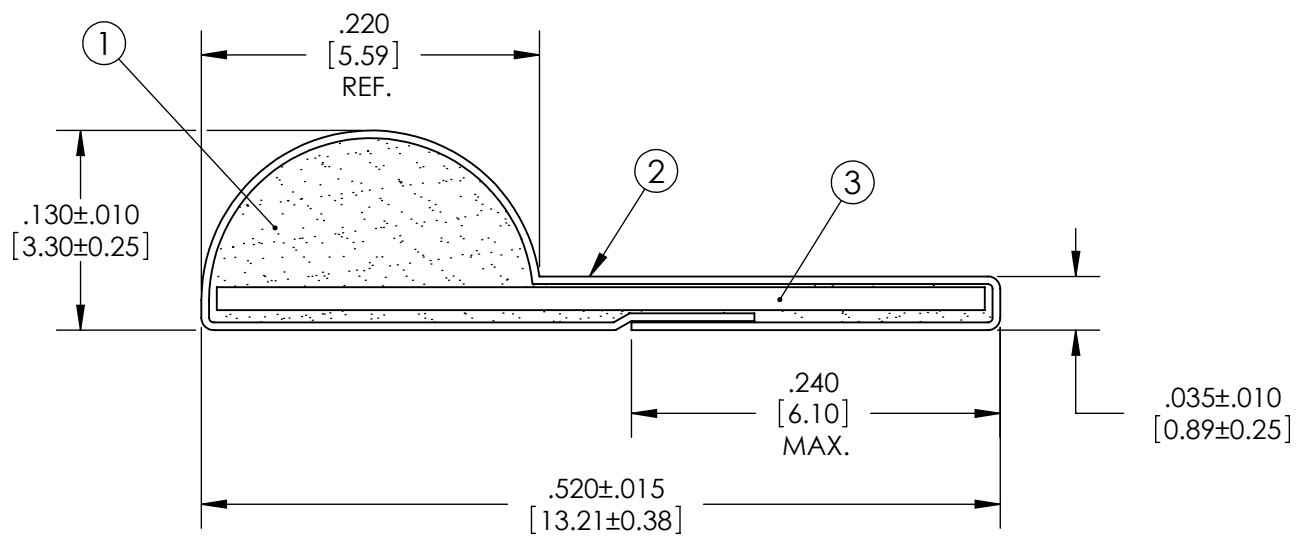
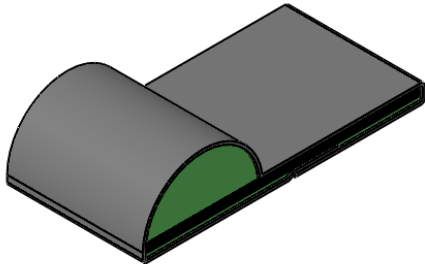


Level		Date	By
(E)	REV PER ECO 2056	3/24/99	EL
(F)	ADDED SHEET 3	11/19/03	EL
(G)	REV TO SOLIDWORKS	9/21/09	BEP
(H)	MOVED TAPE PER ECO 0135	7/28/11	RDL

ROCHESTER DIVISION PRODUCT PRINT

The information disclosed in this drawing is confidential and the property of Schlegel Electronic Materials, INC. The use, disclosure, or reproduction of this information and related know-how is prohibited without written permission from Schlegel Electronic Materials, INC.



TOLERANCES
 Profile thickness: ±.010" (0.25mm)
 Profile width: ±.015" (0.38mm)



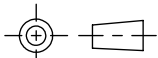
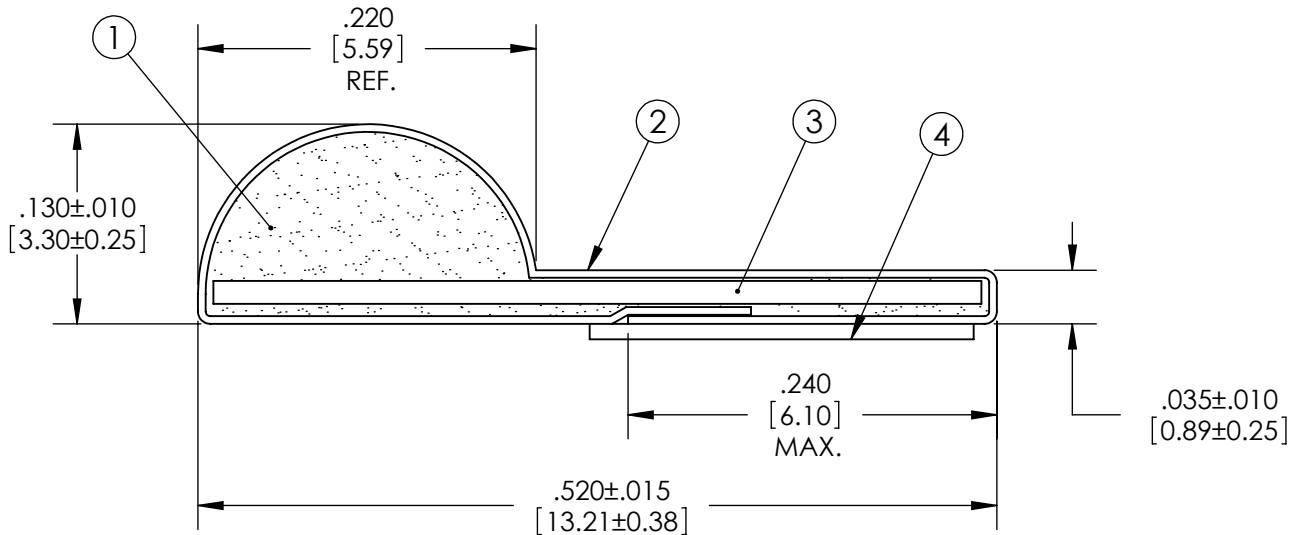
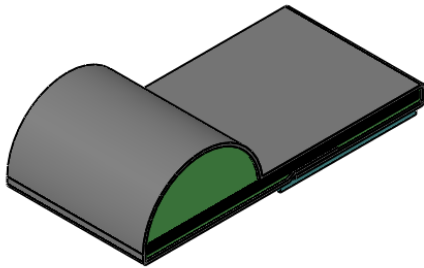
SCALE 1:1

PDR NO.:	(4)		
QUOTE NO.:	(3)	SEE B.O.M.	.015 x .500 POLYCARBONATE INSERT
CUSTOMER NAME:	(2)	SEE B.O.M.	CONDUCTIVE FABRIC
CUST DWG NO.:	(1)	SEE B.O.M.	URETHANE FOAM
SIZE A	Date	3/24/1999	
	SHEET 1 OF 2		Item No. RM Number Material Description
SCALE: 8:1	Approved By	Drawn By EJL	Title 3.3mm x 13.2mm P-SHAPE EMI
Cad File No. UP04331G	Part No. E60xxXxxxxx	Dwg. No. UP3E0433	Rev. H

Level		Date	By
(E)	REV PER ECO 2056	3/24/99	EL
(F)	ADDED SHEET 3	11/19/03	EL
(G)	REV TO SOLIDWORKS	9/21/09	BEP
(H)	MOVED TAPE PER ECO 0135	7/28/11	RDL

ROCHESTER DIVISION PRODUCT PRINT

The information disclosed in this drawing is confidential and the property of Schlegel Electronic Materials, INC. The use, disclosure, or reproduction of this information and related know-how is prohibited without written permission from Schlegel Electronic Materials, INC.



TOLERANCES
 Profile thickness: ± 0.010 " (0.25mm)
 Profile width: ± 0.015 " (0.38mm)



SCALE 1:1

PDR NO.:	(4)	SEE B.O.M.	PSA .250" WIDE (UNLESS OTHERWISE SPECIFIED)
QUOTE NO.:	(3)	SEE B.O.M.	.015 x .500 POLYCARBONATE INSERT
CUSTOMER NAME:	(2)	SEE B.O.M.	CONDUCTIVE FABRIC
CUST DWG NO.:	(1)	SEE B.O.M.	URETHANE FOAM
SIZE A	Date	3/24/1999	
SHEET 2 OF 2		Item No.	Material Description
SCALE: 8:1	Approved By	Drawn By: EJL	Title: 3.3mm x 13.2mm P-SHAPE EMI
Cad File No. UP04331G	Part No. E60xxXxxxxx	Dwg. No. UP3E0433	Rev. H