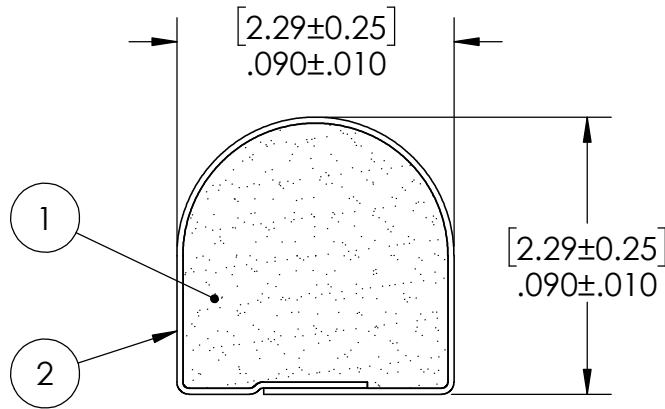
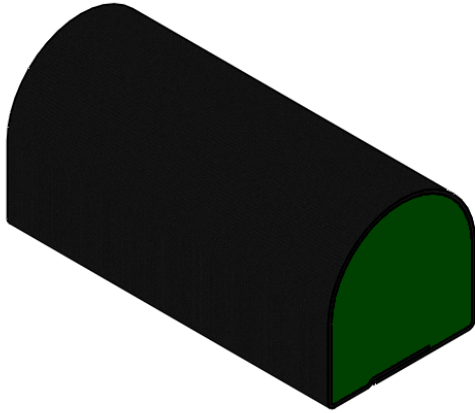


| Level | Description | Date | By |
|-------|--|----------|-----|
| | SUPERCEDES: UC3E1566, Rev G | | |
| (H) | REDRAWN. ITEM 2 WAS "CONDUCTIVE ADHESIVE". | 09/28/16 | FJM |
| (J) | | | |
| (K) | | | |

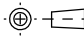
ROCHESTER DIVISION PRODUCT PRINT

The information disclosed in this drawing is confidential and the property of Schlegel Electronic Materials, INC. The use, disclosure, or reproduction of this information and related know-how is prohibited without written permission from Schlegel Electronic Materials, INC.



SCALE 1:1

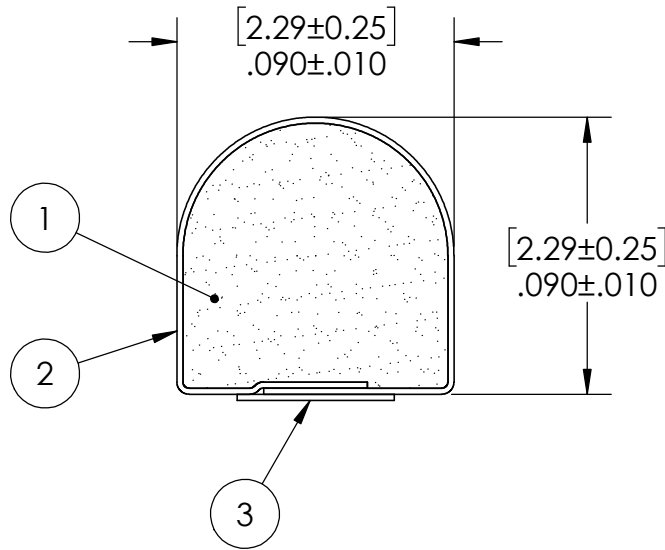
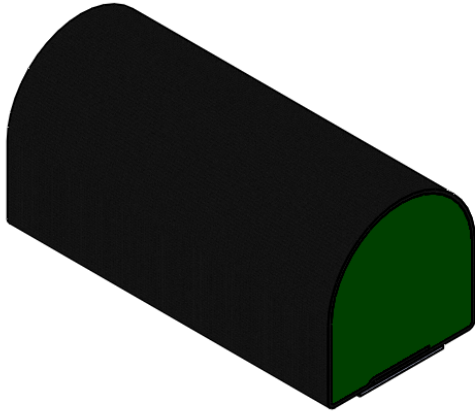
| ITEM NO. | DESCRIPTION | QTY. |
|----------|-------------------|------|
| 1 | URETHANE FOAM | 1 |
| 2 | CONDUCTIVE FABRIC | 1 |
| 3 | | |
| 4 | | |

| | | | | |
|----------------------------|--|--------------------|-----------------|-----------------------------|
| Date: 09/28/2016 | DIMS: MILLIMETERS <input checked="" type="checkbox"/> INCHES <input checked="" type="checkbox"/>  | | | |
| SHEET 1 OF 3 | SCALE: 16:1 | Approved By: _____ | Drawn By: _____ | Title: EMI SHIELDING GASKET |
| Cad File No. UC3E1566_RevH | Part No. E57xxXxxxxx | Dwg. No. UC3E1566 | Rev. H | |

| Level | Description | Date | By |
|-------|---|----------|-----|
| | SUPERCEDES: UC3E1566, Rev G | | |
| (H) | REDRAWN. ITEM 2 WAS "CONDUCTIVE ADHESIVE". ITEM 3 WAS .060" WIDE. | 09/28/16 | FJM |
| (J) | | | |
| (K) | | | |


ROCHESTER DIVISION PRODUCT PRINT

The information disclosed in this drawing is confidential and the property of Schlegel Electronic Materials, INC. The use, disclosure, or reproduction of this information and related know-how is prohibited without written permission from Schlegel Electronic Materials, INC.



SCALE 1:1

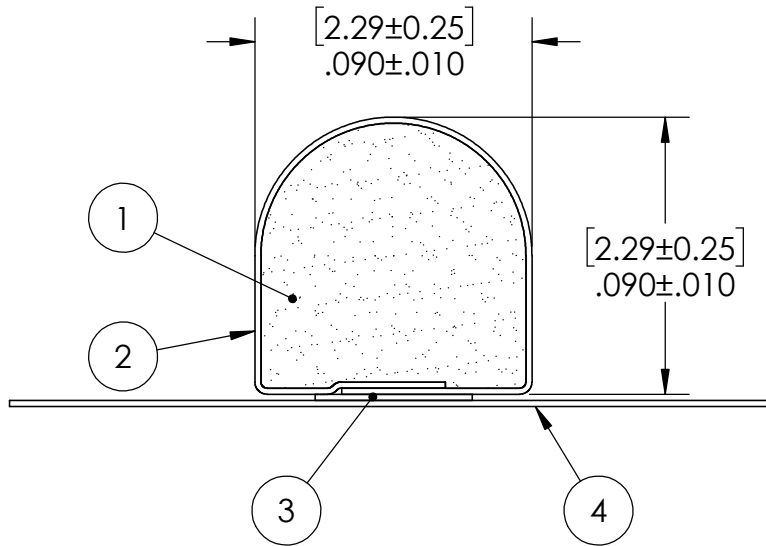
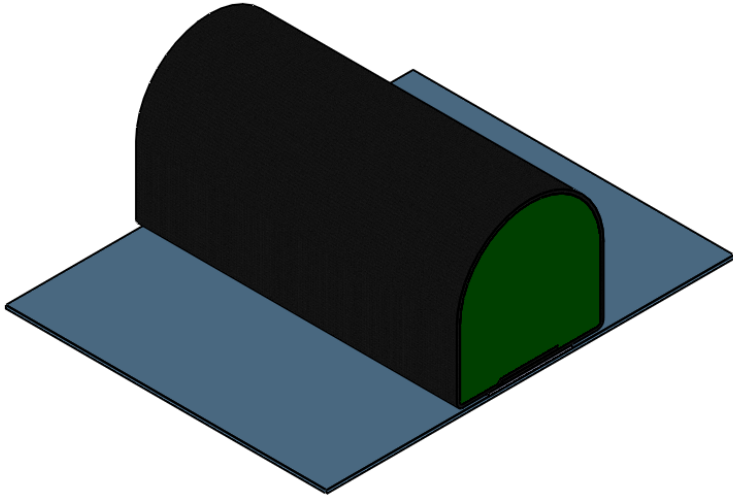
| ITEM NO. | DESCRIPTION | QTY. |
|----------|---|------|
| 1 | URETHANE FOAM | 1 |
| 2 | CONDUCTIVE FABRIC | 1 |
| 3 | PSA .050" [1.3mm] WIDE (UNLESS OTHERWISE SPECIFIED) | 1 |
| 4 | | |

| | | | | |
|----------------------------|--|--------------------|-----------------|-----------------------------|
| Date: 09/28/2016 | DIMS: MILLIMETERS <input checked="" type="checkbox"/> INCHES <input checked="" type="checkbox"/>  | | | |
| SHEET 2 OF 3 | SCALE: 16:1 | Approved By: _____ | Drawn By: _____ | Title: EMI SHIELDING GASKET |
| Cad File No. UC3E1566_RevH | Part No. E57xxTxxxxx | Dwg. No. UC3E1566 | Rev. H | |

| Level | Description | Date | By |
|-------|---|----------|-----|
| | SUPERCEDES: UC3E1566, Rev G | | |
| (H) | REDRAWN. ITEM 2 WAS "CONDUCTIVE ADHESIVE". ITEM 3 WAS .060" WIDE. | 09/28/16 | FJM |
| (J) | | | |
| (K) | | | |

ROCHESTER DIVISION PRODUCT PRINT

The information disclosed in this drawing is confidential and the property of Schlegel Electronic Materials, INC. The use, disclosure, or reproduction of this information and related know-how is prohibited without written permission from Schlegel Electronic Materials, INC.



SCALE 1:1

| ITEM NO. | DESCRIPTION | QTY. |
|----------|--|------|
| 1 | URETHANE FOAM | 1 |
| 2 | CONDUCTIVE FABRIC | 1 |
| 3 | PSA .050" [1.3mm] WIDE (UNLESS OTHERWISE SPECIFIED) | 1 |
| 4 | RELEASE LINER, .250" [6.4mm] WIDE (UNLESS OTHERWISE SPECIFIED) | 1 |

| | |
|-----------------------------|---|
| Date: 09/28/2016 | DIMS: MILLIMETERS <input checked="" type="checkbox"/> INCHES <input checked="" type="checkbox"/> <input type="checkbox"/> |
| SHEET 3 OF 3 | SCALE: 16:1 |
| Cad File No. UC3E1566_RevH | Part No. E57xxZxxxxx |
| Approved By: | Drawn By: |
| Title: EMI SHIELDING GASKET | |
| Dwg. No. UC3E1566 | Rev. H |