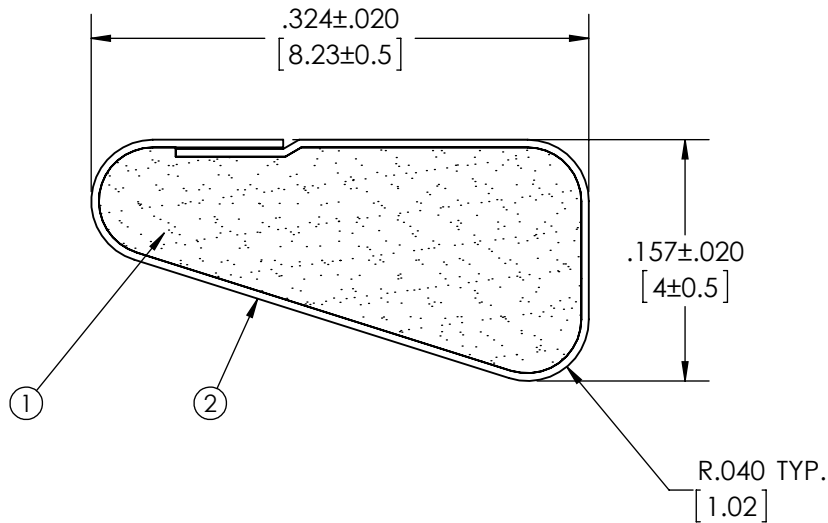
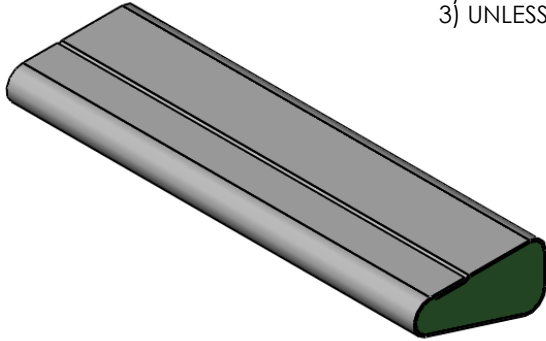


Level		Date	By
ⓐ	REV TO SOLIDWORKS	8/3/11	LWD
ⓑ			
ⓒ			
ⓓ			

ROCHESTER DIVISION PRODUCT PRINT

The information disclosed in this drawing is confidential and the property of Schlegel Electronic Materials, INC. The use, disclosure, or reproduction of this information and related know-how is prohibited without written permission from Schlegel Electronic Materials, INC.

- NOTES:  
 1) REFERENCE DIMENSIONS (REF) HAVE NO TOLERANCE AND ARE FOR INFORMATIVE PURPOSES ONLY.  
 2) FOR ALL MISSING DIMENSIONS 3D CAD FILES SHOULD BE USED.  
 3) UNLESS OTHERWISE SPECIFIED INTERPRET TOLERANCES ACCORDING TO ISO 2768C.



TOLERANCES  
 Profile thickness: ±.015" (0.38mm)  
 Profile width: ±.020" (0.51mm)



SCALE 1:1

DIMS: MILLIMETERS <input checked="" type="checkbox"/> INCHES <input checked="" type="checkbox"/>		④		
PDR NO.:		③		
CUSTOMER NAME:		②	SEE B.O.M.	CONDUCTIVE FABRIC
CUST DWG NO.:		①	SEE B.O.M.	URETHANE FOAM
SIZE <b>A</b>	Date 8/3/2011	Item No.	RM Number	Material Description
SCALE: 8:1		Approved By	Drawn By LWD	Title .157 X .324 EMI WEDGE
Cad File No. UC3E1903	Part No. E52xxXxxxxx	Dwg. No. UC3E1903	Rev. G	

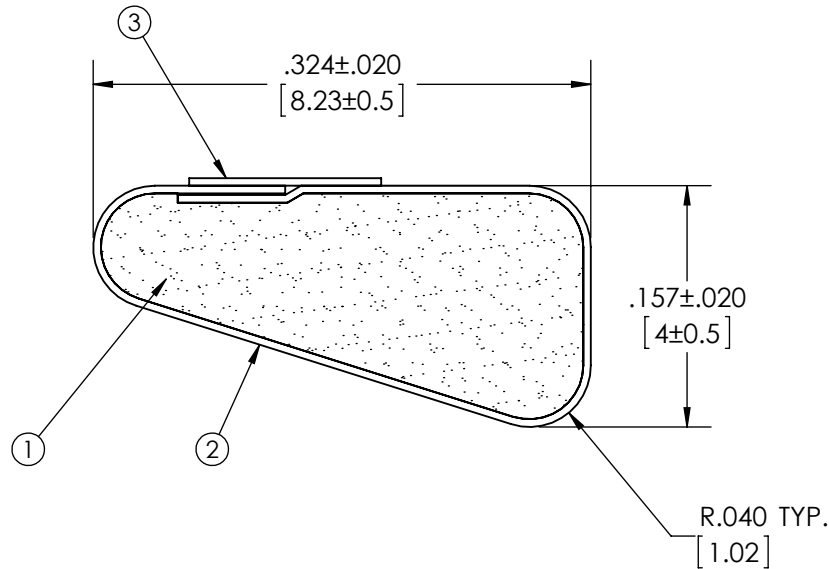
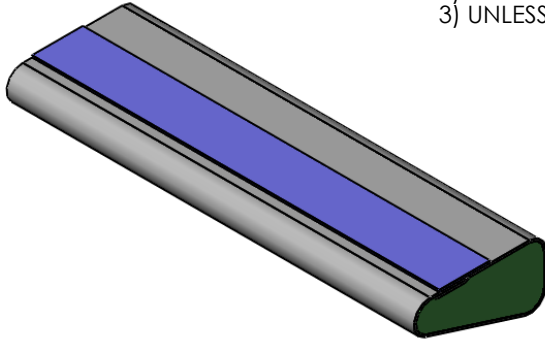
Level		Date	By
G	REV TO SOLIDWORKS	8/3/11	LWD
H			
I			
J			

ROCHESTER DIVISION PRODUCT PRINT

The information disclosed in this drawing is confidential and the property of Schlegel Electronic Materials, INC. The use, disclosure, or reproduction of this information and related know-how is prohibited without written permission from Schlegel Electronic Materials, INC.

NOTES:

- 1) REFERENCE DIMENSIONS (REF) HAVE NO TOLERANCE AND ARE FOR INFORMATIVE PURPOSES ONLY.
- 2) FOR ALL MISSING DIMENSIONS 3D CAD FILES SHOULD BE USED.
- 3) UNLESS OTHERWISE SPECIFIED INTERPRET TOLERANCES ACCORDING TO ISO 2768C.



TOLERANCES

Profile thickness:  $\pm .015$ " (0.38mm)  
 Profile width:  $\pm .020$ " (0.51mm)



SCALE 1:1

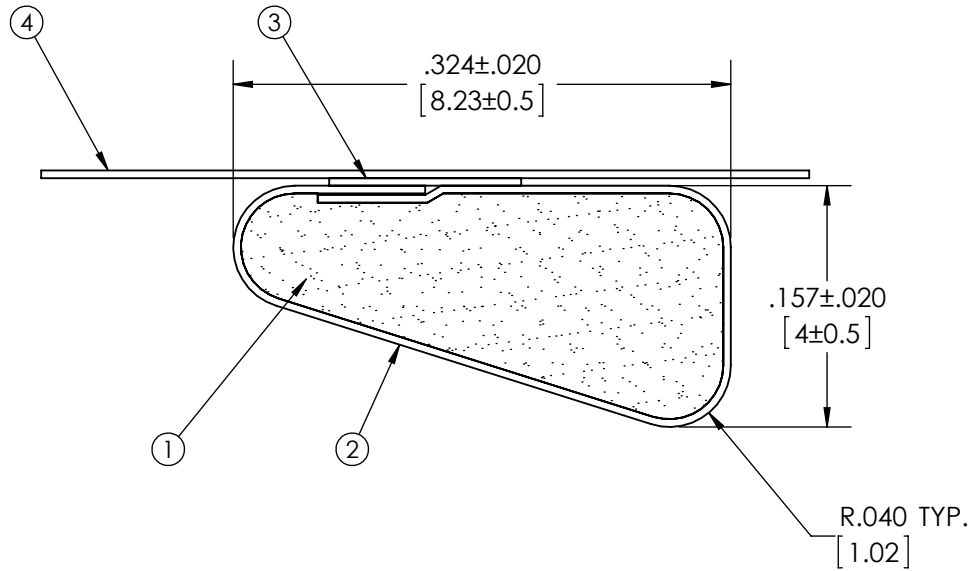
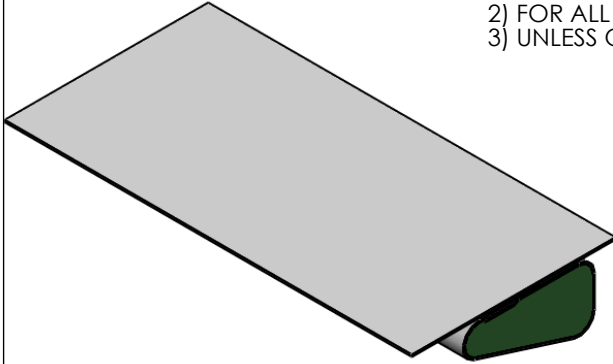
DIMS: MILLIMETERS <input checked="" type="checkbox"/> INCHES <input checked="" type="checkbox"/>		④		
PDR NO.:		③	SEE B.O.M.	PSA .125" WIDE UNLESS OTHERWISE SPECIFIED
CUSTOMER NAME:		②	SEE B.O.M.	CONDUCTIVE FABRIC
CUST DWG NO.:		①	SEE B.O.M.	URETHANE FOAM
SIZE A	Date 8/3/2011	Item No.	RM Number	Material Description
SHEET 2 OF 3				
SCALE: 8:1	Approved By	Drawn By LWD	Title .157 X .324 EMI WEDGE	
Cad File No. UC3E1903	Part No. E52xxxxxxx	Dwg. No. UC3E1903	Rev. G	

Level		Date	By
ⓐ	REV TO SOLIDWORKS	8/3/11	LWD
ⓑ			
ⓒ			
ⓓ			

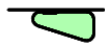
ROCHESTER DIVISION PRODUCT PRINT

The information disclosed in this drawing is confidential and the property of Schlegel Electronic Materials, INC. The use, disclosure, or reproduction of this information and related know-how is prohibited without written permission from Schlegel Electronic Materials, INC.

- NOTES:  
 1) REFERENCE DIMENSIONS (REF) HAVE NO TOLERANCE AND ARE FOR INFORMATIVE PURPOSES ONLY.  
 2) FOR ALL MISSING DIMENSIONS 3D CAD FILES SHOULD BE USED.  
 3) UNLESS OTHERWISE SPECIFIED INTERPRET TOLERANCES ACCORDING TO ISO 2768C.



TOLERANCES  
 Profile thickness: ±.015" (0.38mm)  
 Profile width: ±.020" (0.51mm)



SCALE 1:1

DIMS: MILLIMETERS <input checked="" type="checkbox"/> INCHES <input checked="" type="checkbox"/>		④	SEE B.O.M.	RELEASE LINER .500" WIDE UNLESS OTHERWISE SPECIFIED
PDR NO.:		③	SEE B.O.M.	PSA .125" WIDE UNLESS OTHERWISE SPECIFIED
CUSTOMER NAME:		②	SEE B.O.M.	CONDUCTIVE FABRIC
CUST DWG NO.:		①	SEE B.O.M.	URETHANE FOAM
SIZE <b>A</b>	Date 8/3/2011	SHEET 3 OF 3		Item No. RM Number Material Description
SCALE: 8:1	Approved By	Drawn By LWD		Title .157 X .324 EMI WEDGE
Cad File No. UC3E1903	Part No. E52xxxxxxx	Dwg. No. UC3E1903		Rev. G