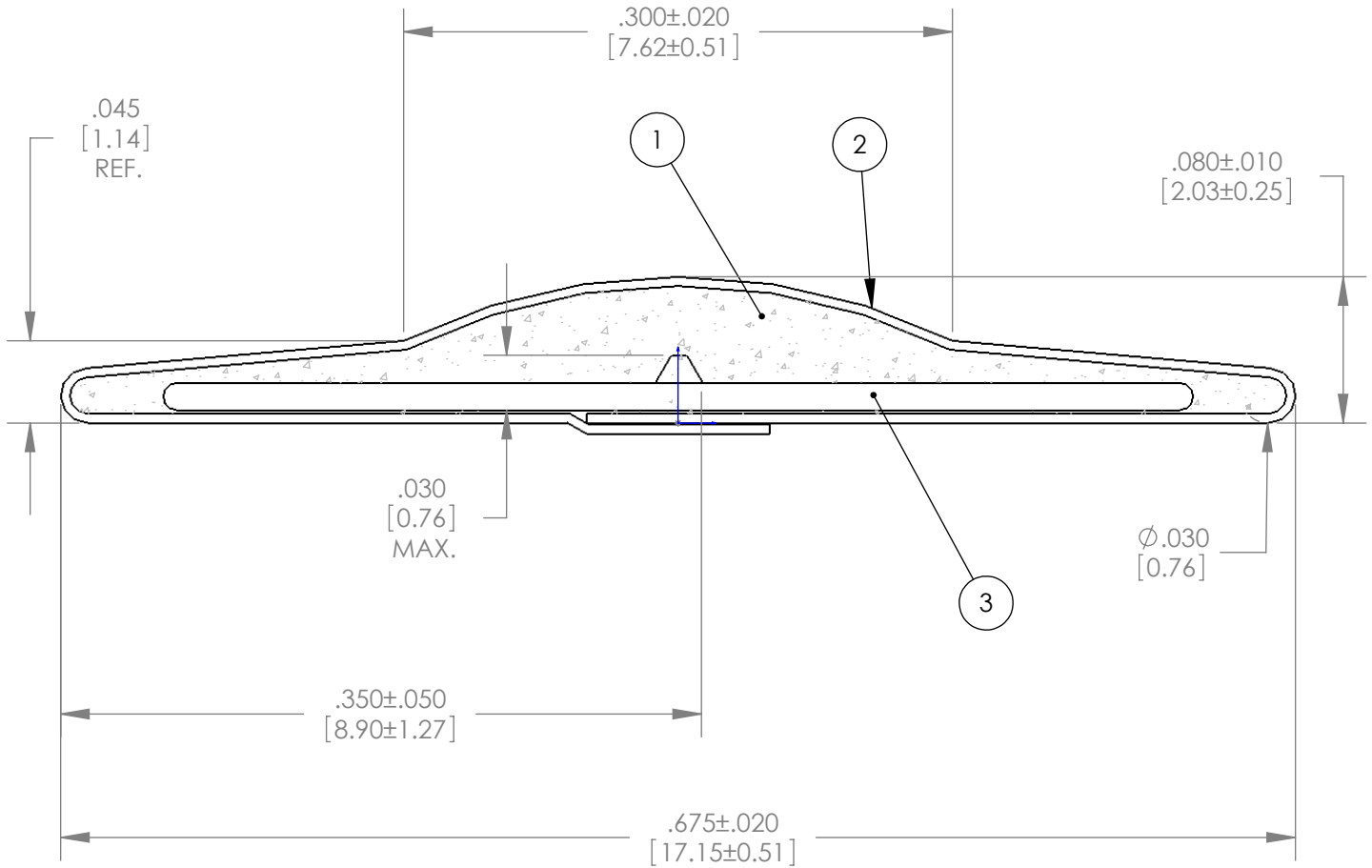


Level		Date	By
Ⓒ	CHANGED FORMAT	8/3/11	LWD
Ⓗ			
Ⓘ			
Ⓙ			

ROCHESTER DIVISION PRODUCT PRINT

The information disclosed in this drawing is confidential and the property of Schlegel Electronic Materials, INC. The use, disclosure, or reproduction of this information and related know-how is prohibited without written permission from Schlegel Electronic Materials, INC.



TOLERANCES

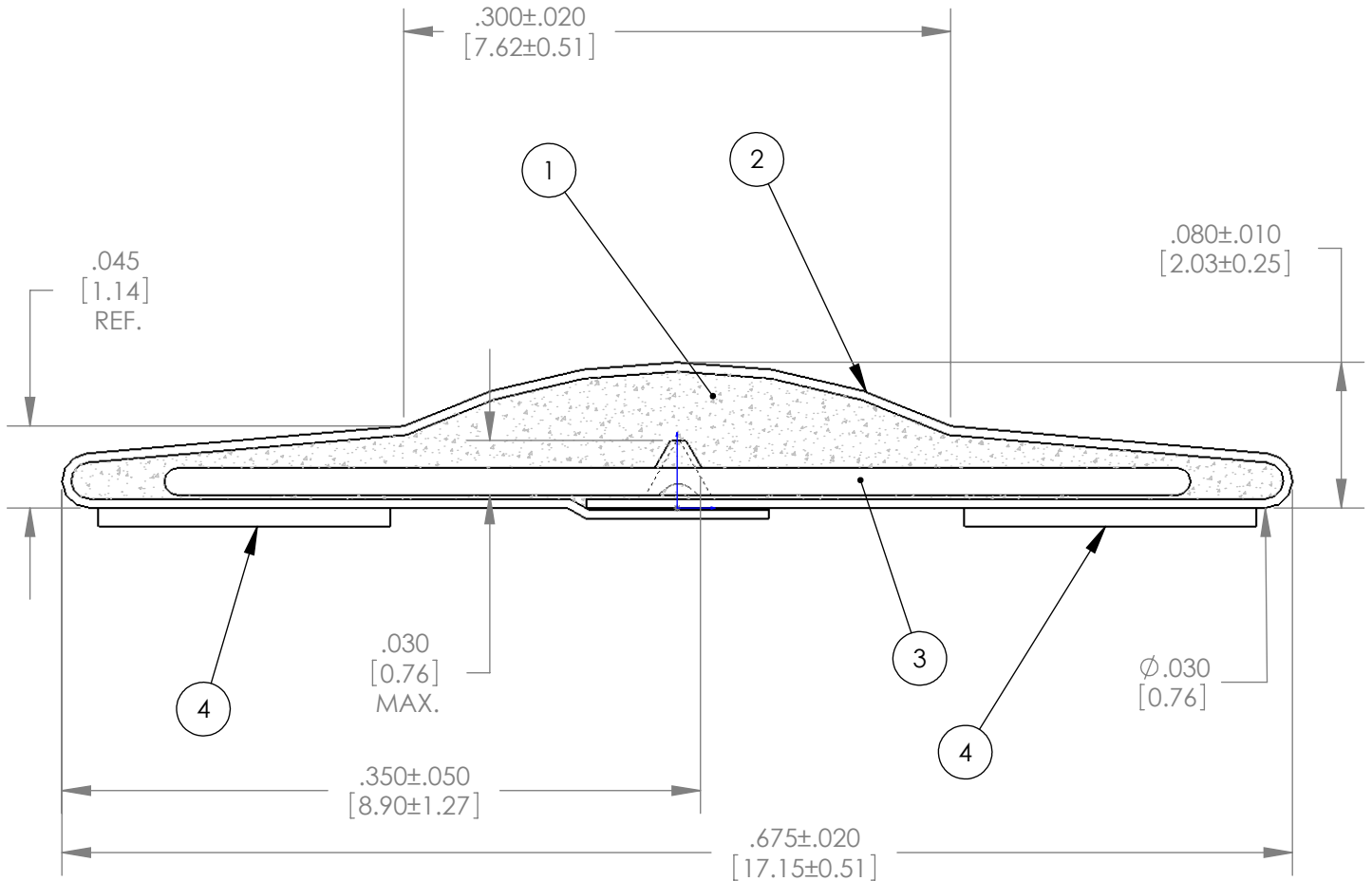
Profile thickness: ±.015" (0.38mm)
 Profile width: ±.020" (0.51mm)

DIMS: MILLIMETERS <input checked="" type="checkbox"/> INCHES <input checked="" type="checkbox"/>		④		
PDR NO.:		③	SEE B.O.M.	.015 X .563 INSERT
CUSTOMER NAME:		②	SEE B.O.M.	CONDUCTIVE FABRIC
CUST DWG NO.:		①	SEE B.O.M.	URETHANE FOAM
SIZE A	Date 8/3/2011	SHEET 1 OF 3		Material Description
SCALE: 4:1	Approved By	RM Number	Drawn By LWD	Title 675 X 0.080 EMI SEAL
Cad File No. UP3E1724	Part No. E51xxXxxxxx	Dwg. No. UP3E1724	Rev. G	

Level		Date	By
ⓐ	CHANGED FORMAT	8/3/11	LWD
ⓑ			
ⓒ			
ⓓ			

ROCHESTER DIVISION PRODUCT PRINT

The information disclosed in this drawing is confidential and the property of Schlegel Electronic Materials, INC. The use, disclosure, or reproduction of this information and related know-how is prohibited without written permission from Schlegel Electronic Materials, INC.



THE TWO PIECES OF .160" ADHESIVE ARE POSITIONED AT THE APPROXIMATE TANGENT POINT NO TO EXTEND AROUND THE RADIUS

TOLERANCES

Profile thickness: ±.015" (0.38mm)
 Profile width: ±.020" (0.51mm)

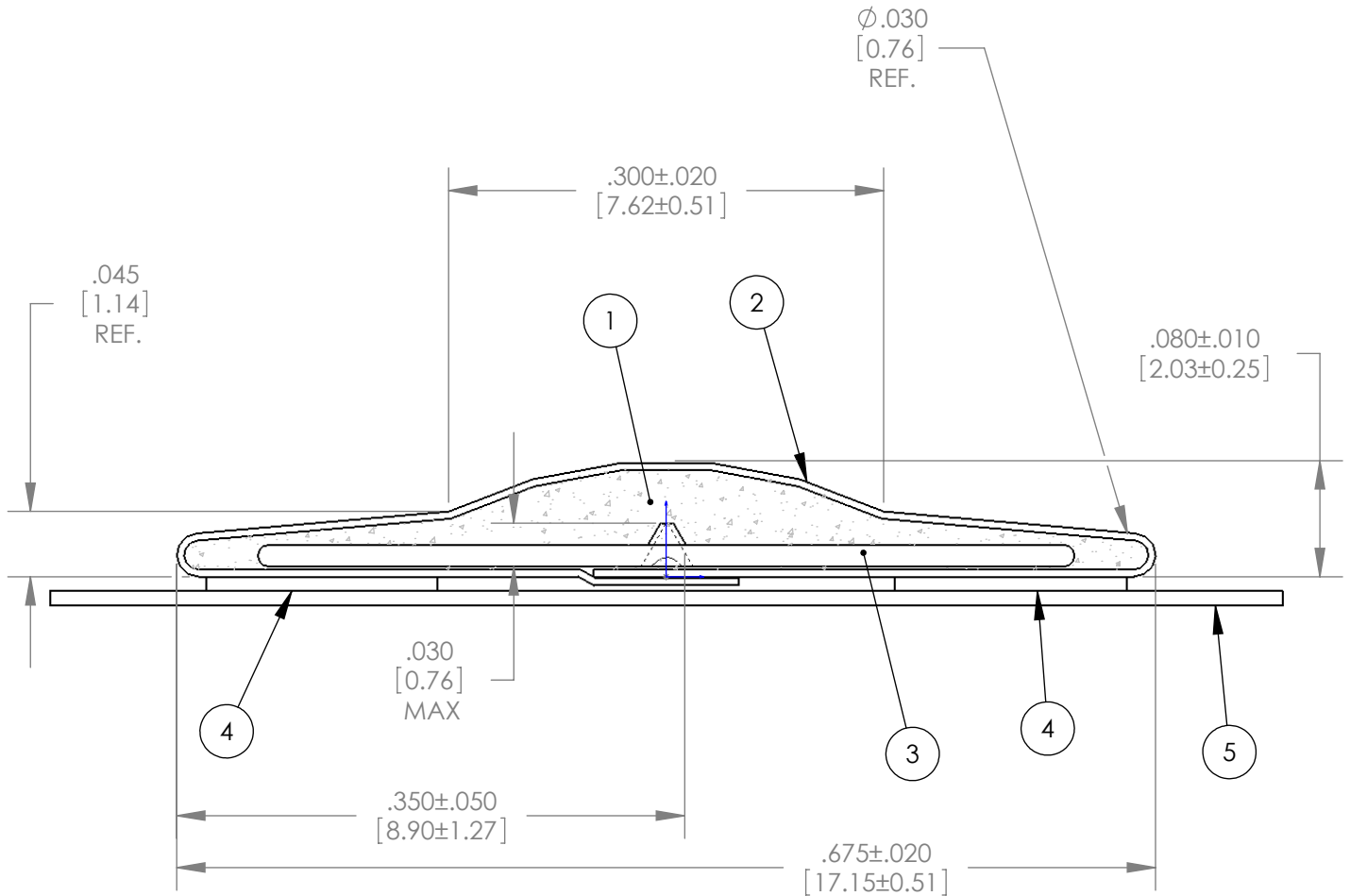
DIMS: MILLIMETERS <input checked="" type="checkbox"/> INCHES <input checked="" type="checkbox"/>		④	SEE B.O.M.	PSA .160" WIDE UNLESS OTHERWISE SPECIFIED
PDR NO.:		③	SEE B.O.M.	.015 X .563 INSERT
CUSTOMER NAME:		②	SEE B.O.M.	CONDUCTIVE FABRIC
CUST DWG NO.:		①	SEE B.O.M.	URETHANE FOAM
SIZE A	Date 8/3/2011	Item No.	RM Number	Material Description
SCALE: 4:1		Approved By	Drawn By LWD	Title 675 X 0.080 EMI SEAL
Cad File No. UP3E1724	Part No. E51xxxxxxx	Dwg. No. UP3E1724	Rev. G	

Level		Date	By
Ⓒ	CHANGED FORMAT	8/3/11	LWD
Ⓗ			
Ⓘ			
Ⓙ			

ROCHESTER DIVISION PRODUCT PRINT

The information disclosed in this drawing is confidential and the property of Schlegel Electronic Materials, INC. The use, disclosure, or reproduction of this information and related know-how is prohibited without written permission from Schlegel Electronic Materials, INC.

F



THE TWO PIECES OF .160" ADHESIVE ARE POSITIONED AT THE APPROXIMATE TANGENT POINT NO TO EXTEND AROUND THE RADIUS

TOLERANCES

Profile thickness: ±.015" (0.38mm)
Profile width: ±.020" (0.51mm)

DIMS: MILLIMETERS <input checked="" type="checkbox"/> INCHES <input checked="" type="checkbox"/>		⑤	SEE B.O.M.	RELEASE LINER .850" W UNLESS OTHERWISE SPECIFIED
PDR NO.:		④	SEE B.O.M.	PSA .160" WIDE UNLESS OTHERWISE SPECIFIED
CUSTOMER NAME:		③	SEE B.O.M.	.015 X .563 INSERT
CUST DWG NO.:		②	SEE B.O.M.	CONDUCTIVE FABRIC
SIZE	Date 8/3/2011	①	SEE B.O.M.	URETHANE FOAM
A	SHEET 3 OF 3	Item No.	RM Number	Material Description
SCALE: 4:1	Approved By	Drawn By LWD	Title	675 X 0.080 EMI SEAL
Cad File No. UP3E1724	Part No. E51xxxxxxx	Dwg. No. UP3E1724	Rev.	G