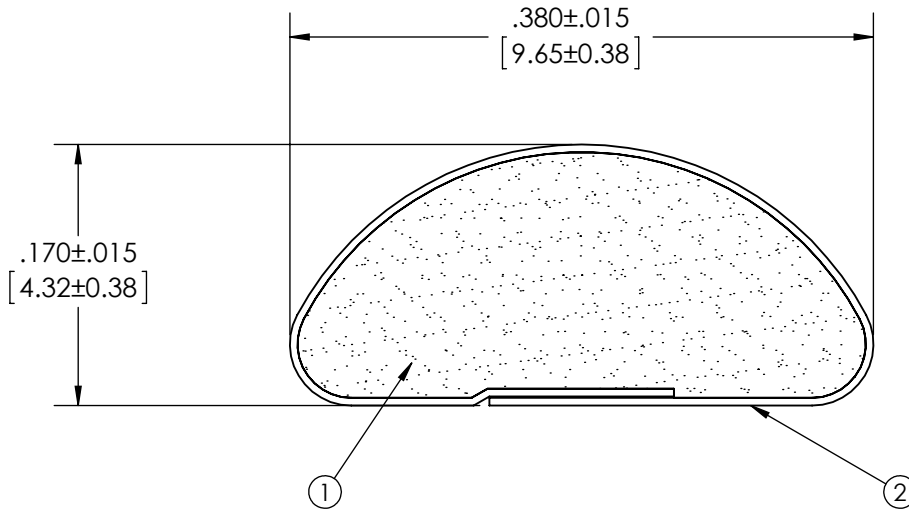
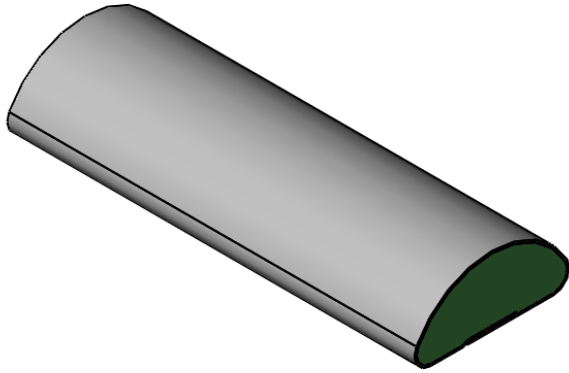


Level		Date	By
(B)	REV TO SOLIDWORKS	8/2/11	LWD
(C)			
(D)			
(E)			

ROCHESTER DIVISION PRODUCT PRINT

The information disclosed in this drawing is confidential and the property of Schlegel Electronic Materials, INC. The use, disclosure, or reproduction of this information and related know-how is prohibited without written permission from Schlegel Electronic Materials, INC.

- NOTES:  
 1) REFERENCE DIMENSIONS (REF) HAVE NO TOLERANCE AND ARE FOR INFORMATIVE PURPOSES ONLY.  
 2) FOR ALL MISSING DIMENSIONS 3D CAD FILES SHOULD BE USED.  
 3) UNLESS OTHERWISE SPECIFIED INTERPRET TOLERANCES ACCORDING TO ISO 2768C.



TOLERANCES

Profile thickness:  $\pm 0.015$ " (0.38mm)  
 Profile width:  $\pm 0.020$ " (0.51mm)



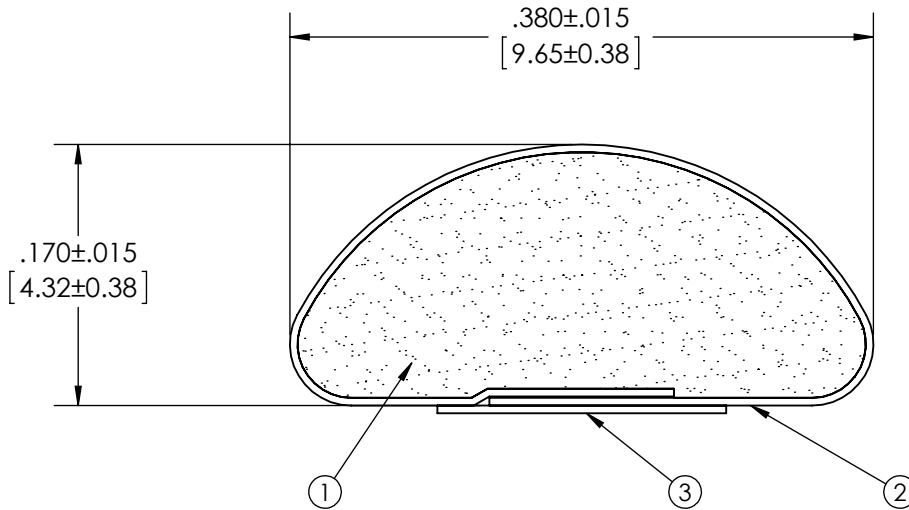
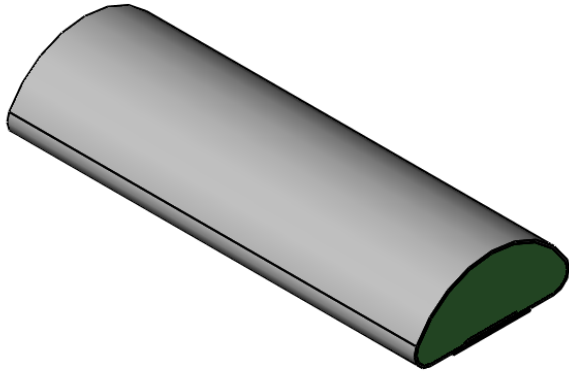
DIMS: MILLIMETERS <input checked="" type="checkbox"/> INCHES <input checked="" type="checkbox"/>		(4)		
PDR NO.:		(3)		
CUSTOMER NAME:		(2)	SEE B.O.M.	CONDUCTIVE FABRIC
CUST DWG NO.:		(1)	SEE B.O.M.	URETHANE FOAM
SIZE A	Date 8/2/2011	SHEET 1 OF 3		Material Description
SCALE: 6:1	Approved By	Item No.	RM Number	Title 1.5mm x 10mm D-SHAPE EMI
Cad File No. UP3E1623_1	Part No. E50xxXxxxxx	Dwg. No. UP3E1623	Drawn By LWD	Rev. B

Level		Date	By
(B)	REV TO SOLIDWORKS	8/2/11	LWD
(C)			
(D)			
(E)			

ROCHESTER DIVISION PRODUCT PRINT

The information disclosed in this drawing is confidential and the property of Schlegel Electronic Materials, INC. The use, disclosure, or reproduction of this information and related know-how is prohibited without written permission from Schlegel Electronic Materials, INC.

- NOTES:  
 1) REFERENCE DIMENSIONS (REF) HAVE NO TOLERANCE AND ARE FOR INFORMATIVE PURPOSES ONLY.  
 2) FOR ALL MISSING DIMENSIONS 3D CAD FILES SHOULD BE USED.  
 3) UNLESS OTHERWISE SPECIFIED INTERPRET TOLERANCES ACCORDING TO ISO 2768C.



TOLERANCES

Profile thickness:  $\pm .015$ " (0.38mm)  
 Profile width:  $\pm .020$ " (0.51mm)



DIMS: MILLIMETERS <input checked="" type="checkbox"/> INCHES <input checked="" type="checkbox"/>		(4)		
PDR NO.:		(3)	SEE B.O.M.	PSA .188" WIDE UNLESS OTHERWISE SPECIFIED
CUSTOMER NAME:		(2)	SEE B.O.M.	CONDUCTIVE FABRIC
CUST DWG NO.:		(1)	SEE B.O.M.	URETHANE FOAM
SIZE	Date	Item No.		Material Description
A	8/2/2011	RM Number		
SHEET 2 OF 3		Drawn By		Title
SCALE: 6:1		LWD		1.5mm x 10mm D-SHAPE EMI
Approved By		Part No.		Rev.
Cad File No. UP3E1623_1		E50xxxxxxxxx		B
		Dwg. No. UP3E1623		

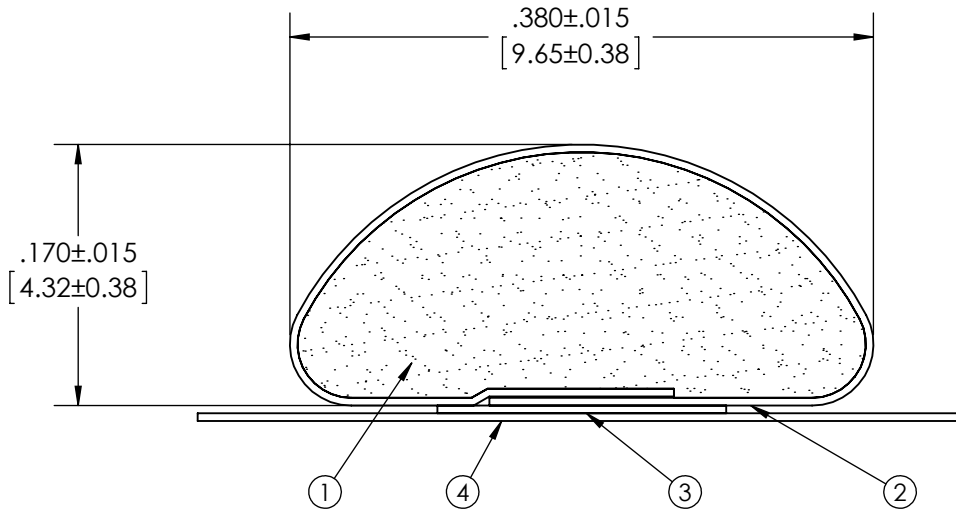
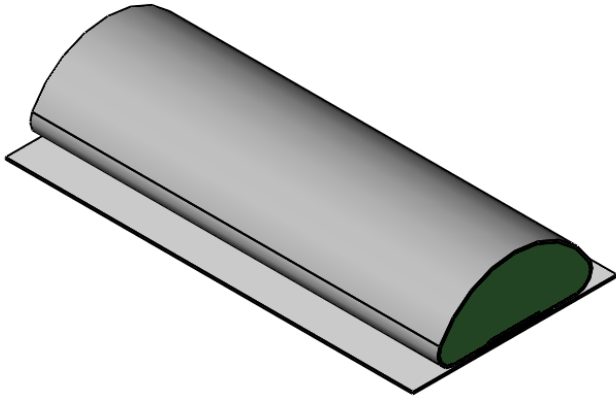
Level		Date	By
(B)	REV TO SOLIDWORKS	8/2/11	LWD
(C)			
(D)			
(E)			

ROCHESTER DIVISION PRODUCT PRINT

The information disclosed in this drawing is confidential and the property of Schlegel Electronic Materials, INC. The use, disclosure, or reproduction of this information and related know-how is prohibited without written permission from Schlegel Electronic Materials, INC.

NOTES:

- 1) REFERENCE DIMENSIONS (REF) HAVE NO TOLERANCE AND ARE FOR INFORMATIVE PURPOSES ONLY.
- 2) FOR ALL MISSING DIMENSIONS 3D CAD FILES SHOULD BE USED.
- 3) UNLESS OTHERWISE SPECIFIED INTERPRET TOLERANCES ACCORDING TO ISO 2768C.



TOLERANCES

Profile thickness:  $\pm 0.015$ " (0.38mm)  
 Profile width:  $\pm 0.020$ " (0.51mm)



DIMS: MILLIMETERS <input checked="" type="checkbox"/> INCHES <input checked="" type="checkbox"/>		(4)	SEE B.O.M.	RELEASE LINER .500" WIDE UNLESS OTHERWISE SPECIFIED
PDR NO.:		(3)	SEE B.O.M.	PSA .188" WIDE UNLESS OTHERWISE SPECIFIED
CUSTOMER NAME:		(2)	SEE B.O.M.	CONDUCTIVE FABRIC
CUST DWG NO.:		(1)	SEE B.O.M.	URETHANE FOAM
SIZE	Date 8/2/2011			
<b>A</b>	SHEET 3 OF 3	Item No.	RM Number	Material Description
SCALE: 6:1	Approved By	Drawn By LWD	Title 1.5mm x 10mm D-SHAPE EMI	
Cad File No. UP3E1623_1	Part No. E50xxxxxxxx	Dwg. No. UP3E1623	Rev. B	