



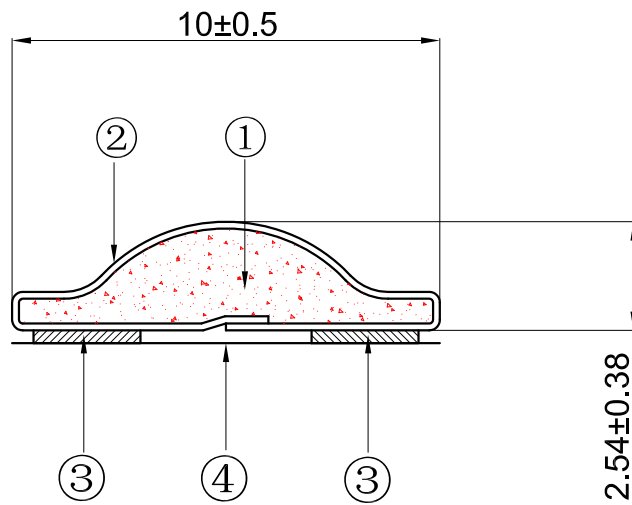
SCHLEGEL
 electronic materials
 a member of **EMEI** group

Revisions

Lev	Description	Date	By
(A)	Initial Release	26.Nov.14	Sally
(B)			
(C)			

SEM FE DIVISION PRODUCT PRINT

The information disclosed on this drawing is confidential and the property of Schlegel Electronic Materials, Inc. The use, disclosure, or reproduction of this information and related know-how is prohibited without written permission from Schlegel Electronic Materials, Inc.



PDR:

CUST.:

CUST. P/N:

DO NOT SCALE THIS DRAWING
 UNLESS PRINTER IS QUALIFIED

DECIMAL DIMENSIONS ± _____ UNLESS OTHERWISE SPECIFIED ALL DIMENSIONS IN MM Date: 26.Nov.14 Sheet 1 of 1	④	SEE B.O.M.	RELEASE LINER .394" WIDE
	③	SEE B.O.M.	PRESSURE SENSITIVE ADHESIVE .098" WIDE
	②	SEE B.O.M.	CONDUCTIVE FABRIC
	①	SEE B.O.M.	URETHANE FOAM
Drawn Scale: 1 : 1	Approved:	Item	R.M. Number
		Material Description	
		Title: 2.54X10mm EMI	
Cad File No.	Part No. E3F__X_____	Dwg. No. CC3E8865	