

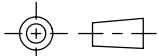
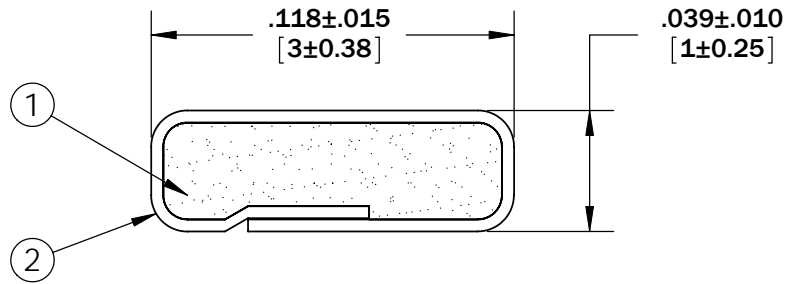
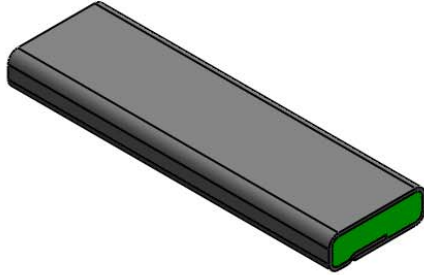


Revisions

Level		Date	By
(A)	REV PER ECO 2056	9/23/98	EL
(B)	ADDED SHEET 3	10/27/98	EL
(C)	REV PER ECO 2288	4/21/03	EL
(D)	UPDATE SHEET FORMAT	6/11/09	BEP

ROCHESTER DIVISION PRODUCT PRINT

The information disclosed in this drawing is confidential and the property of Schlegel Electronic Materials, INC. The use, disclosure, or reproduction of this information and related know-how is prohibited without written permission from Schlegel Electronic Materials, INC.



TOLERANCES

Profile thickness: $\pm .010$ " (0.25mm)
 Profile width: $\pm .015$ " (0.38mm)

SCALE 1:1

PDR NO.:	(4)		
QUOTE NO.:	(3)		
CUSTOMER NAME:	(2)	SEE B.O.M.	CONDUCTIVE FABRIC
CUST DWG NO.:	(1)	SEE B.O.M.	URETHANE FOAM
DATE	9/23/1998		
SIZE A	SHEET 1 OF 3	Item No.	Material Description
SCALE: 10:1	Approved By	Drawn By: EJL	Title: 1mm x 3mm EMI
Cad File No. UC12701D	Part No. E37xxXXXXX	Dwg. No. UC3E1270	Rev. D

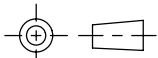
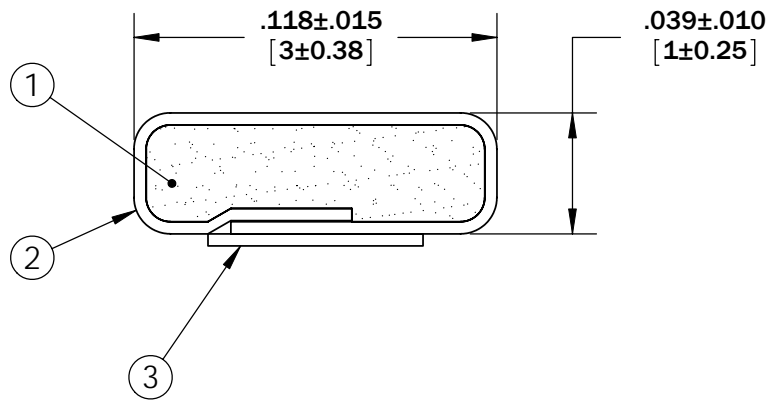
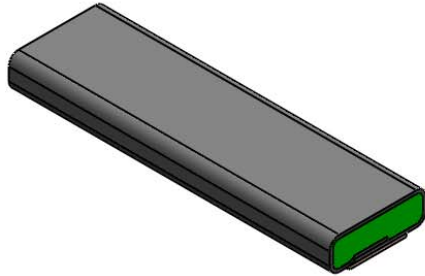


Revisions

Level		Date	By
(A)	REV PER ECO 2056	9/23/98	EL
(B)	ADDED SHEET 3	10/27/98	EL
(C)	REV PER ECO 2288	4/21/03	EL
(D)	UPDATE SHEET FORMAT	6/11/09	BEP

ROCHESTER DIVISION PRODUCT PRINT

The information disclosed in this drawing is confidential and the property of Schlegel Electronic Materials, INC. The use, disclosure, or reproduction of this information and related know-how is prohibited without written permission from Schlegel Electronic Materials, INC.



TOLERANCES

Profile thickness: $\pm .010$ " (0.25mm)
 Profile width: $\pm .015$ " (0.38mm)

SCALE 1:1

PDR NO.:	(4)		
QUOTE NO.:	(3)	SEE B.O.M.	PSA .070" WIDE (UNLESS OTHERWISE SPECIFIED)
CUSTOMER NAME:	(2)	SEE B.O.M.	CONDUCTIVE FABRIC
CUST DWG NO.:	(1)	SEE B.O.M.	URETHANE FOAM
DATE	9/23/1998		
SIZE A	SHEET 2 OF 3	Item No.	Material Description
SCALE: 10:1	Approved By	Drawn By EJL	Title 1mm x 3mm EMI
Cad File No. UC12701D	Part No. E37xxTxxxxx	Dwg. No. UC3E1270	Rev. D

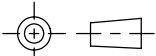
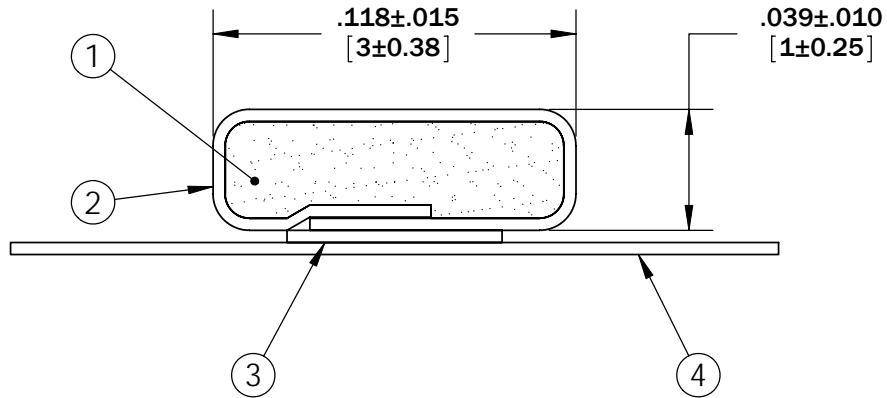
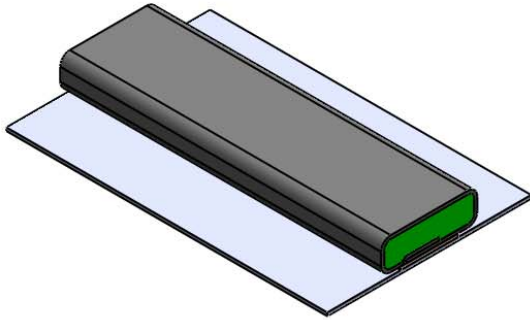


Revisions

Level		Date	By
(A)	REV PER ECO 2056	9/23/98	EL
(B)	ADDED SHEET 3	10/27/98	EL
(C)	REV PER ECO 2288	4/21/03	EL
(D)	UPDATE SHEET FORMAT	6/11/09	BEP

ROCHESTER DIVISION PRODUCT PRINT

The information disclosed in this drawing is confidential and the property of Schlegel Electronic Materials, INC. The use, disclosure, or reproduction of this information and related know-how is prohibited without written permission from Schlegel Electronic Materials, INC.



TOLERANCES

Profile thickness: ± 0.010 " (0.25mm)
 Profile width: ± 0.015 " (0.38mm)



SCALE 1:1

PDR NO.:	(4)	SEE B.O.M.	RELEASE LINER .250" WIDE (UNLESS OTHERWISE SPECIFIED)
QUOTE NO.:	(3)	SEE B.O.M.	PSA .070" WIDE (UNLESS OTHERWISE SPECIFIED)
CUSTOMER NAME:	(2)	SEE B.O.M.	CONDUCTIVE FABRIC
CUST DWG NO.:	(1)	SEE B.O.M.	URETHANE FOAM
DATE	9/23/1998		
SIZE	SHEET 3 OF 3		
Item No.	RM Number	Material Description	
SCALE: 10:1	Approved By	Drawn By: EJL	Title: 1mm x 3mm EMI
Cad File No. UC12701D	Part No. E37xxZxxxxx	Dwg. No. UC3E1270	Rev. D