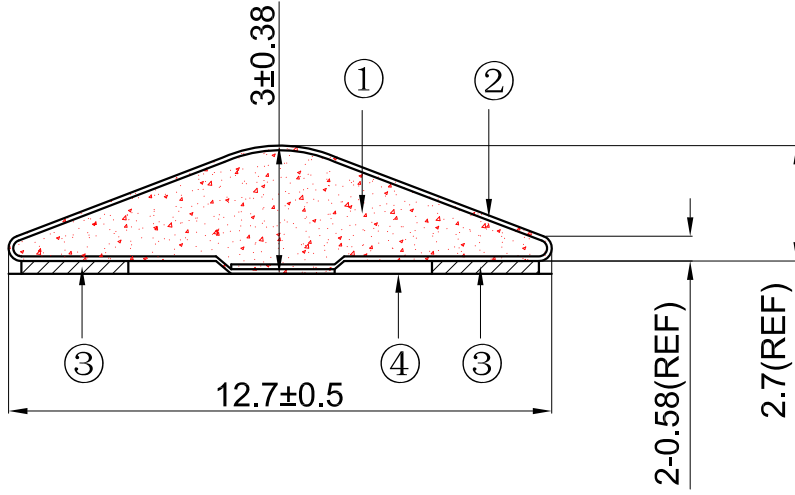




SCHLEGEL
 electronic materials
 a member of **EMEI** group

Revisions			
Lev	Description	Date	By
(A)	Initial Release	17.Jul.14	Sally
(B)	Added the dimension	27.Oct.14	Sally
(C)			

SEM FE DIVISION PRODUCT PRINT
 The Information disclosed on this drawing is confidential and the property of Schlegel Electronic Materials, Inc. The use, disclosure, or reproduction of this information and related know-how is prohibited without written permission from Schlegel Electronic Materials, Inc.



PDR:
 CUST.:
 CUST. P/N:

DO NOT SCALE THIS DRAWING
 UNLESS PRINTER IS QUALIFIED

DECIMAL DIMENSIONS ± _____ UNLESS OTHERWISE SPECIFIED ALL DIMENSIONS IN MM Date: 17.Jul.14 Sheet 1 of 1	(4)	SEE B.O.M.	RELEASE LINER .500" WIDE
	(3)	SEE B.O.M.	PRESSURE SENSITIVE ADHESIVE .100" WIDE
	(2)	SEE B.O.M.	CONDUCTIVE FABRIC
	(1)	SEE B.O.M.	URETHANE FOAM
Drawn Scale: 1 : 1	Approved:	Item	R.M. Number
		Material Description	
		Title: 3.0X12.7mm EMI	
Cad File No.	Part No. E2U__X_____		Dwg. No. CC3E8855