

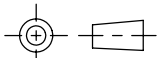
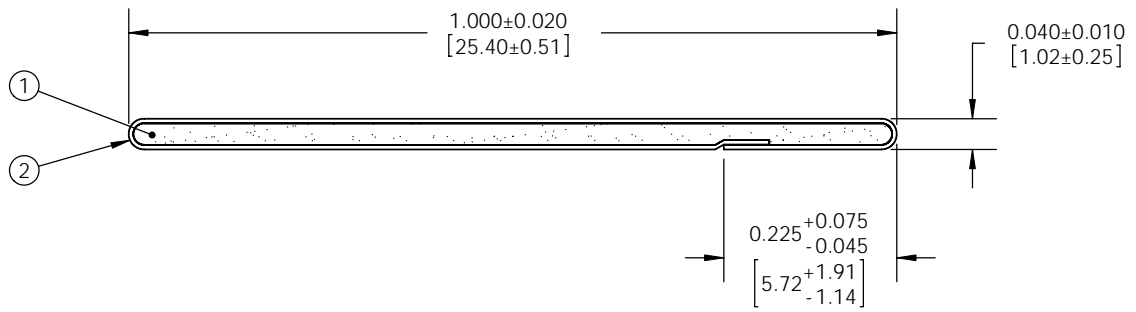
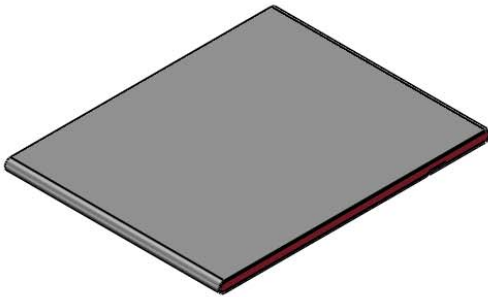


Revisions

Level		Date	By
○	RELEASE	7/19/95	EJL
○	REV PER ECO 2056	3/22/99	EJL
○	REV TOL	6/21/99	EJL
○	UPDATE SHEET FORMAT	3/23/09	BEP

ROCHESTER DIVISION PRODUCT PRINT

The information disclosed in this drawing is confidential and the property of Schlegel Electronic Materials, INC. The use, disclosure, or reproduction of this information and related know-how is prohibited without written permission from Schlegel Electronic Materials, INC.



TOLERANCES

Profile thickness: ±.010" (0.25mm)
 Profile width: ±.020" (0.51mm)



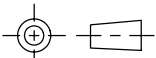
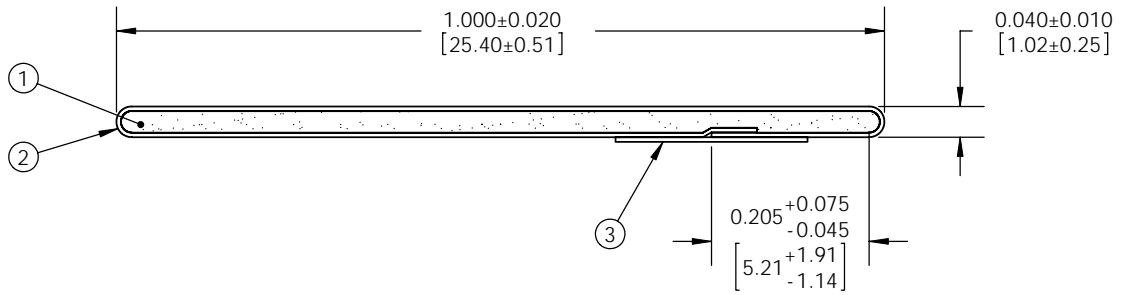
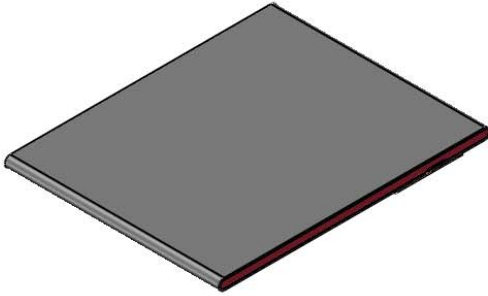
SCALE 1:1

PDR NO.:	④		
QUOTE NO.:	③		
CUSTOMER NAME:	②	SEE B.O.M.	CONDUCTIVE FABRIC
CUST DWG NO.:	①	SEE B.O.M.	URETHANE FOAM
SIZE A	Date	7/19/1995	
SHEET 1 OF 2		Item No.	Material Description
SCALE: 4:1	Approved By	Drawn By EJL	Title 1mm x 25.4mm EMI
Cad File No. UC3E0576	Part No. E29xx-xxxxx	Dwg. No. UC3E0576	Rev. E

Level		Date	By
○	RELEASE	7/19/95	EJL
○	REV PER ECO 2056	3/22/99	EJL
○	REV TOL	6/21/99	EJL
○	UPDATE SHEET FORMAT	3/23/09	BEP

ROCHESTER DIVISION PRODUCT PRINT

The information disclosed in this drawing is confidential and the property of Schlegel Electronic Materials, INC. The use, disclosure, or reproduction of this information and related know-how is prohibited without written permission from Schlegel Electronic Materials, INC.



TOLERANCES

Profile thickness: ± 0.010 " (0.25mm)
 Profile width: ± 0.020 " (0.51mm)



SCALE 1:1

PDR NO.:	④		
QUOTE NO.:	③	SEE B.O.M.	PSA .250" WIDE (UNLESS OTHERWISE SPECIFIED)
CUSTOMER NAME:	②	SEE B.O.M.	CONDUCTIVE FABRIC
CUST DWG NO.:	①	SEE B.O.M.	URETHANE FOAM
SIZE A	Date	7/19/1995	
SHEET 2 OF 2		Item No.	Material Description
SCALE: 4:1	Approved By	Drawn By EJL	Title 1mm x 25.4mm EMI
Cad File No. UC3E0576	Part No. E29xxXxxxxx	Dwg. No. UC3E0576	Rev. E