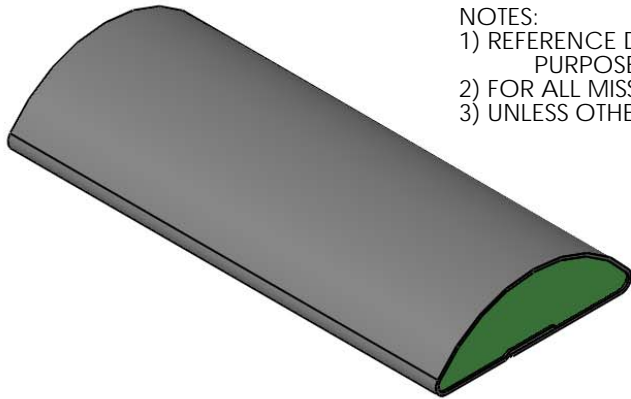


Level		Date	By
(D)	REV PER ECO 2322	7/28/04	EJL
(E)	REV TO SOLIDWORKS	4/12/10	BEP
(F)			
(G)			

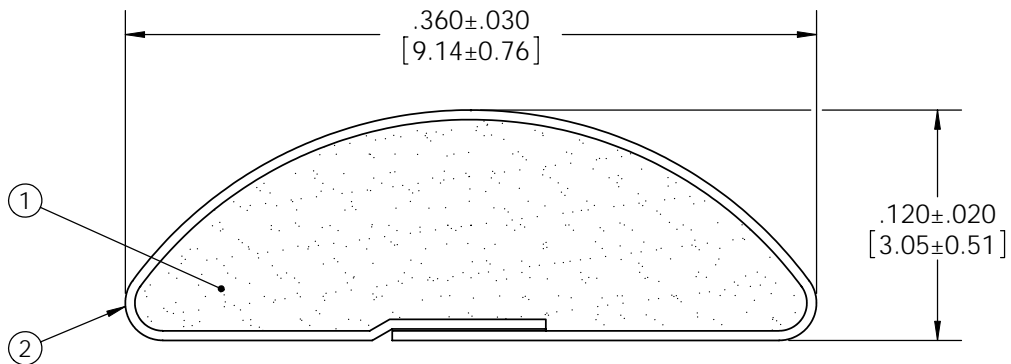
ROCHESTER DIVISION PRODUCT PRINT

The information disclosed in this drawing is confidential and the property of Schlegel Electronic Materials, INC. The use, disclosure, or reproduction of this information and related know-how is prohibited without written permission from Schlegel Electronic Materials, INC.



NOTES:

- 1) REFERENCE DIMENSIONS (REF) HAVE NO TOLERANCE AND ARE FOR INFORMATIVE PURPOSES ONLY.
- 2) FOR ALL MISSING DIMENSIONS 3D CAD FILES SHOULD BE USED.
- 3) UNLESS OTHERWISE SPECIFIED INTERPRET TOLERANCES ACCORDING TO ISO 2768C.



TOLERANCES

Profile thickness: $\pm .020$ " (0.51mm)
 Profile width: $\pm .030$ " (0.76mm)

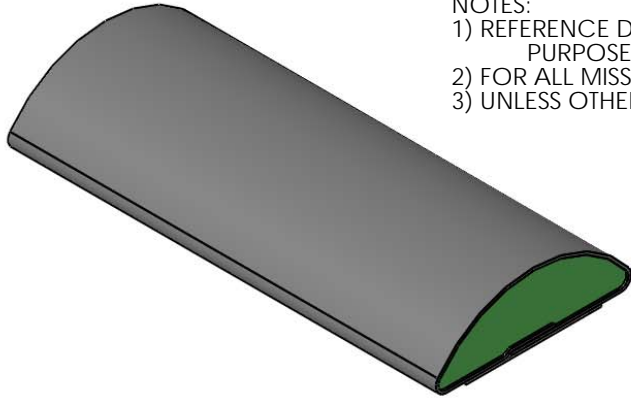


DIMS: MILLIMETERS <input checked="" type="checkbox"/> INCHES <input checked="" type="checkbox"/>		<input checked="" type="checkbox"/> <input type="checkbox"/>	(4)		
PDR NO.: -			(3)		
CUSTOMER NAME: -			(2)	SEE B.O.M.	CONDUCTIVE FABRIC
CUST DWG NO.: -			(1)	SEE B.O.M.	URETHANE FOAM
SIZE A	Date 10/6/1999		Item No.	RM Number	Material Description
SCALE: 10:1		Approved By	Drawn By EJL		Title 3.1mm x 9.1mm D-SHAPE EMI
Cad File No. UP12111E	Part No. E26xxXXXXXX	Dwg. No. UP3E1211		Rev. E	

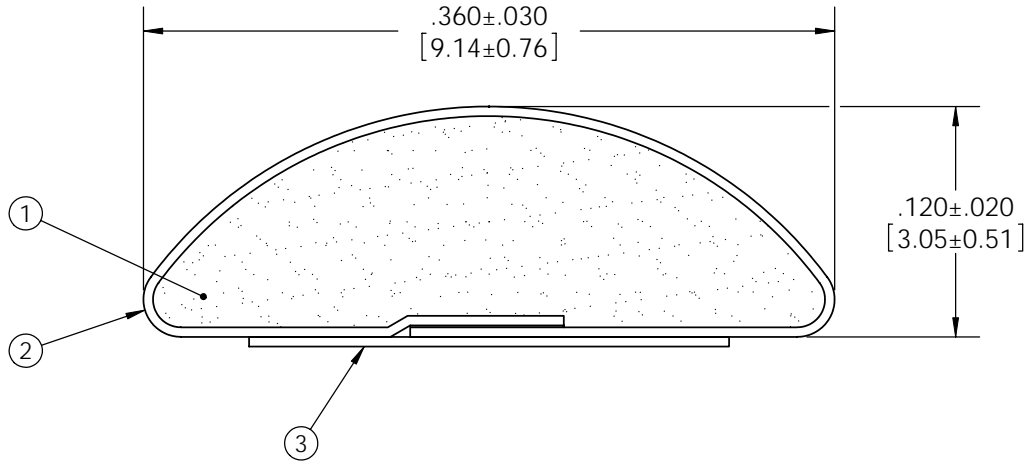
Level		Date	By
(D)	REV PER ECO 2322	7/28/04	EJL
(E)	REV TO SOLIDWORKS	4/12/10	BEP
(F)			
(G)			

ROCHESTER DIVISION PRODUCT PRINT

The information disclosed in this drawing is confidential and the property of Schlegel Electronic Materials, INC. The use, disclosure, or reproduction of this information and related know-how is prohibited without written permission from Schlegel Electronic Materials, INC.



- NOTES:
 1) REFERENCE DIMENSIONS (REF) HAVE NO TOLERANCE AND ARE FOR INFORMATIVE PURPOSES ONLY.
 2) FOR ALL MISSING DIMENSIONS 3D CAD FILES SHOULD BE USED.
 3) UNLESS OTHERWISE SPECIFIED INTERPRET TOLERANCES ACCORDING TO ISO 2768C.



TOLERANCES

Profile thickness: ±.020" (0.51mm)
 Profile width: ±.030" (0.76mm)



DIMS: MILLIMETERS <input checked="" type="checkbox"/> INCHES <input checked="" type="checkbox"/>		<input checked="" type="checkbox"/> <input type="checkbox"/>	(4)		
PDR NO.:	-		(3)	SEE B.O.M.	PSA .188" WIDE (UNLESS OTHERWISE SPECIFIED)
CUSTOMER NAME:	-		(2)	SEE B.O.M.	CONDUCTIVE FABRIC
CUST DWG NO.:	-		(1)	SEE B.O.M.	URETHANE FOAM
SIZE A	Date 10/6/1999				
SHEET 2 OF 2		Item No.	RM Number		Material Description
SCALE: 10:1	Approved By	Drawn By EJL	Title 3.1mm x 9.1mm D-SHAPE EMI		
Cad File No. UP12111E	Part No. E26xxTxxxxx	Dwg. No. UP3E1211	Rev. E		