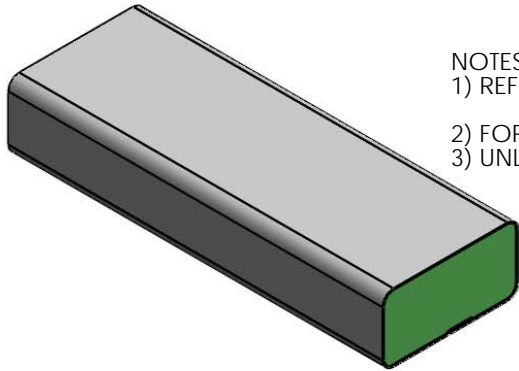


Level		Date	By
(D)	REV PER ECO 2056	8/18/98	EJL
(E)	ADDED SEAM LOCATION DIM	5/27/99	EJL
(F)	REV TOL ERROR	6/1/99	EJL
(G)	REV TITLE	6/29/99	EJL
(H)	REV PER ECO 2288	5/30/03	EJL
(I)	REV TO SOLIDWORKS	4/5/10	BEP

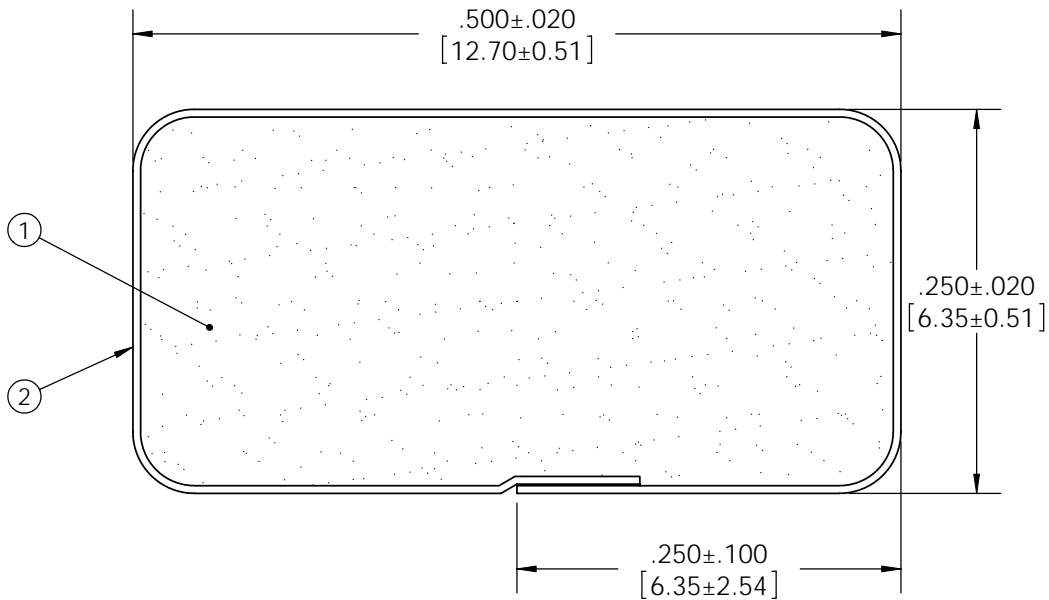
ROCHESTER DIVISION PRODUCT PRINT

The information disclosed in this drawing is confidential and the property of Schlegel Electronic Materials, INC. The use, disclosure, or reproduction of this information and related know-how is prohibited without written permission from Schlegel Electronic Materials, INC.



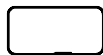
NOTES:

- 1) REFERENCE DIMENSIONS (REF) HAVE NO TOLERANCE AND ARE FOR INFORMATIVE PURPOSES ONLY.
- 2) FOR ALL MISSING DIMENSIONS 3D CAD FILES SHOULD BE USED.
- 3) UNLESS OTHERWISE SPECIFIED INTERPRET TOLERANCES ACCORDING TO ISO 2768C.



TOLERANCES

Profile thickness: $\pm .020$ " (0.51mm)
 Profile width: $\pm .020$ " (0.51mm)



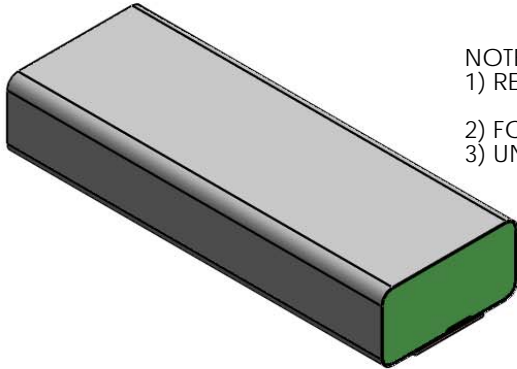
SCALE 1:1

DIMS: MILLIMETERS <input checked="" type="checkbox"/> INCHES <input checked="" type="checkbox"/>		<input checked="" type="checkbox"/> <input type="checkbox"/>	(4)		
PDR NO: -			(3)		
CUSTOMER NAME: -			(2)	SEE B.O.M.	CONDUCTIVE FABRIC
CUST DWG NO: -			(1)	SEE B.O.M.	URETHANE FOAM
SIZE A	Date 8/18/1998		Item No.	RM Number	Material Description
SCALE: 8:1		Approved By	Drawn By EJL	Title 6.4mm x 12.7mm EMI	
Cad File No. UP041611		Part No. E25xxXxxxxx	Dwg. No. UP3E0416	Rev. I	

Revisions			
Level		Date	By
(D)	REV PER ECO 2056	8/18/98	EJL
(E)	ADDED SEAM LOCATION DIM	5/27/99	EJL
(F)	REV TOL ERROR	6/1/99	EJL
(G)	REV TITLE	6/29/99	EJL
(H)	REV PER ECO 2288	5/30/03	EJL
(I)	REV TO SOLIDWORKS	4/5/10	BEP

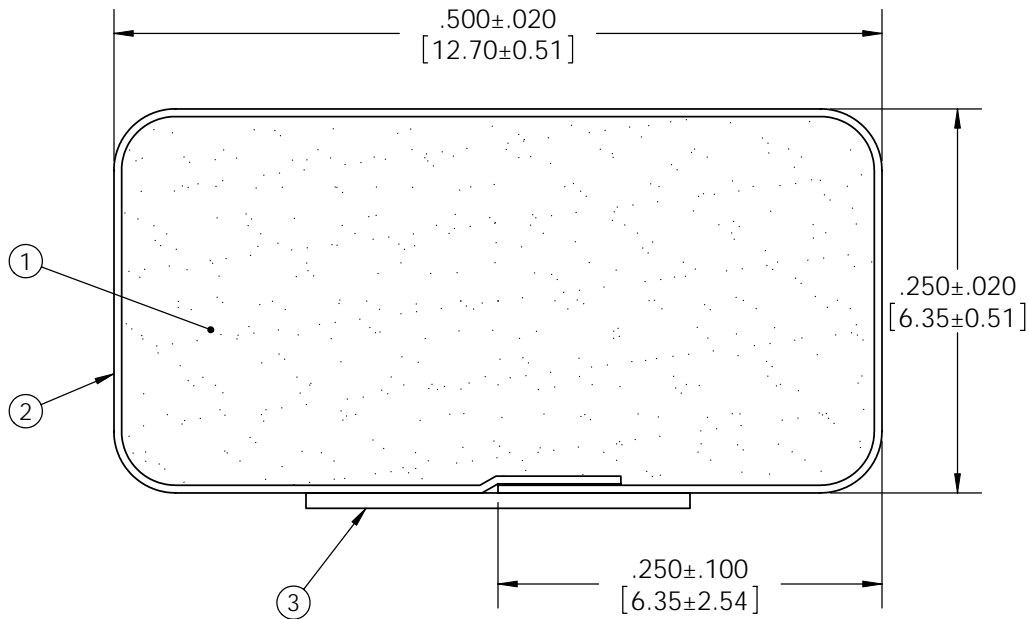
ROCHESTER DIVISION PRODUCT PRINT

The information disclosed in this drawing is confidential and the property of Schlegel Electronic Materials, INC. The use, disclosure, or reproduction of this information and related know-how is prohibited without written permission from Schlegel Electronic Materials, INC.



NOTES:

- 1) REFERENCE DIMENSIONS (REF) HAVE NO TOLERANCE AND ARE FOR INFORMATIVE PURPOSES ONLY.
- 2) FOR ALL MISSING DIMENSIONS 3D CAD FILES SHOULD BE USED.
- 3) UNLESS OTHERWISE SPECIFIED INTERPRET TOLERANCES ACCORDING TO ISO 2768C.



TOLERANCES

Profile thickness: $\pm .020$ " (0.51mm)
 Profile width: $\pm .020$ " (0.51mm)



SCALE 1:1

DIMS: MILLIMETERS <input checked="" type="checkbox"/> INCHES <input checked="" type="checkbox"/>		<input checked="" type="checkbox"/> <input type="checkbox"/>		(4)		
PDR NO: -		(3)		SEE B.O.M.	PSA .250" WIDE (UNLESS OTHERWISE SPECIFIED)	
CUSTOMER NAME: -		(2)		SEE B.O.M.	CONDUCTIVE FABRIC	
CUST DWG NO: -		(1)		SEE B.O.M.	URETHANE FOAM	
SIZE A	Date 8/18/1998	Item No.	RM Number	Material Description		
SHEET 2 OF 2						
SCALE: 8:1	Approved By	Drawn By EJL	Title 6.4mm x 12.7mm EMI			
Cad File No. UP041611	Part No. E25xxTxxxxx	Dwg. No. UP3E0416	Rev. I			