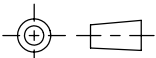
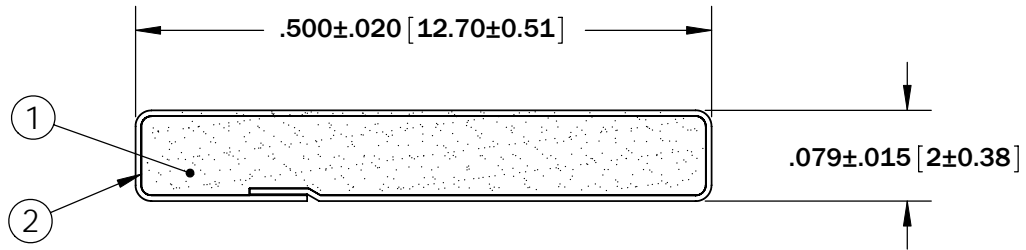
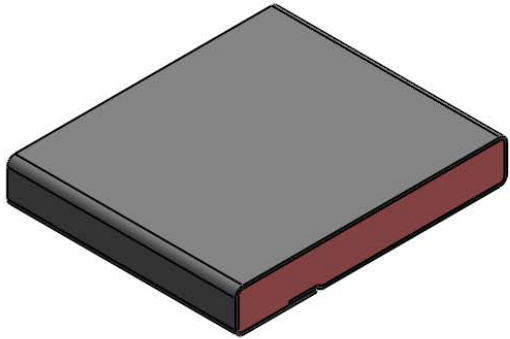




ROCHESTER DIVISION PRODUCT PRINT

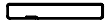
The information disclosed in this drawing is confidential and the property of Schlegel Electronic Materials, INC. The use, disclosure, or reproduction of this information and related know-how is prohibited without written permission from Schlegel Electronic Materials, INC.

Revisions			
Level		Date	By
(B)	ECO 2056	3/19/99	EL
(C)	REV TOL	5/27/99	EL
(D)	ADDED SEAM LOCATION	6/22/99	EL
(E)	REV SHEET 2	6/1/01	EL
(F)	CHG'D RADIUS TO MATCH PROCESS	5/5/09	BEP



TOLERANCES

Profile thickness: ± 0.015 " (0.38mm)
 Profile width: ± 0.020 " (0.51mm)



SCALE 1:1

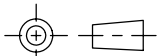
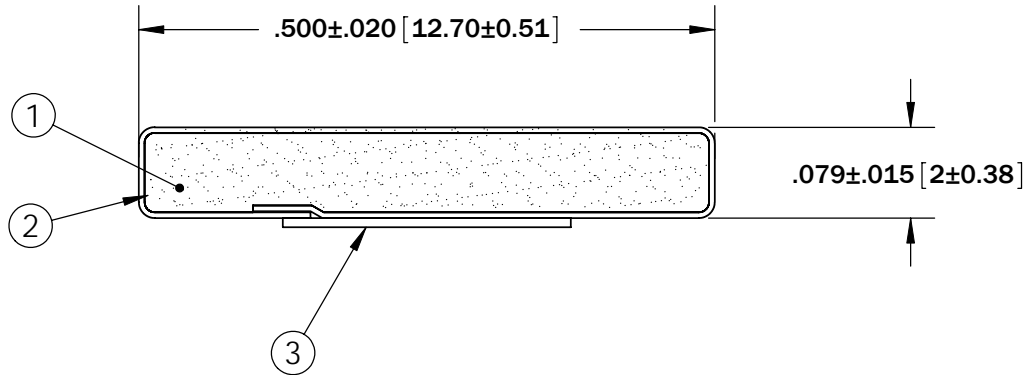
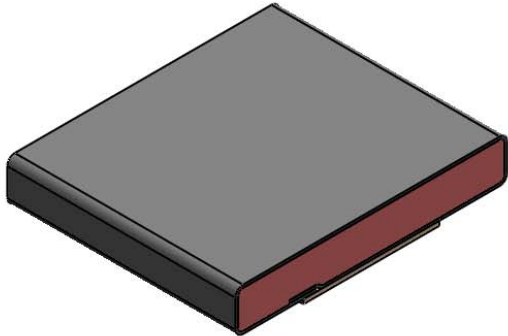
PDR NO.:	(4)		
QUOTE NO.:	(3)		
CUSTOMER NAME:	(2)	SEE B.O.M.	CONDUCTIVE FABRIC
CUST DWG NO.:	(1)	SEE B.O.M.	URETHANE FOAM
SIZE A	Date	4/6/1995	
	SHEET 1 OF 3		
SCALE: 6:1	Approved By	Drawn By	EJL
		Title	2mm x 12.7mm EMI
Cad File No.	UC10351F	Part No.	E24xxXxxxxx
		Dwg. No.	UC3E1035
		Rev.	F

ROCHESTER DIVISION PRODUCT PRINT

The information disclosed in this drawing is confidential and the property of Schlegel Electronic Materials, INC. The use, disclosure, or reproduction of this information and related know-how is prohibited without written permission from Schlegel Electronic Materials, INC.

Revisions

Level		Date	By
(B)	ECO 2056	3/19/99	EL
(C)	REV TOL	5/27/99	EL
(D)	ADDED SEAM LOCATION	6/22/99	EL
(E)	REV SHEET 2	6/1/01	EL
(F)	CHG'D RADIUS TO MATCH PROCESS	5/5/09	BEP



TOLERANCES

Profile thickness: ± 0.015 " (0.38mm)
 Profile width: ± 0.020 " (0.51mm)



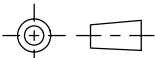
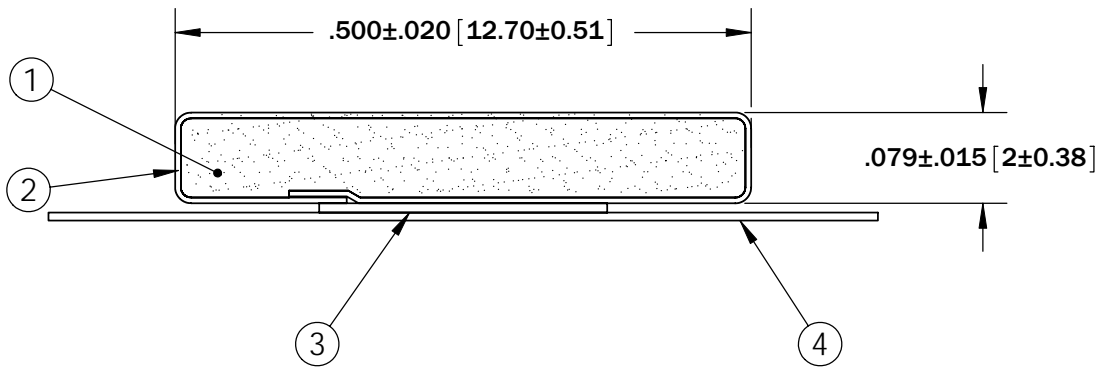
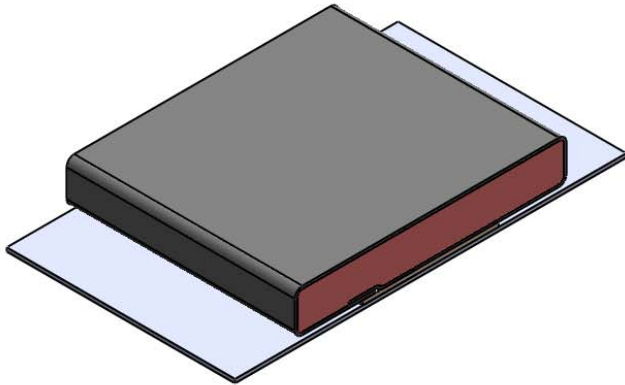
SCALE 1:1

PDR NO.:	(4)		
QUOTE NO.:	(3)	SEE B.O.M.	PSA .250" WIDE (UNLESS OTHERWISE SPECIFIED)
CUSTOMER NAME:	(2)	SEE B.O.M.	CONDUCTIVE FABRIC
CUST DWG NO.:	(1)	SEE B.O.M.	URETHANE FOAM
SIZE A	Date	4/6/1995	
	SHEET 2 OF 3		
SCALE: 6:1	Approved By	Drawn By E.J.L.	Title 2mm x 12.7mm EMI
Cad File No. UC10351F	Part No. E24xxTxxxxx	Dwg. No. UC3E1035	Rev. F

Revisions			
Level		Date	By
(B)	ECO 2056	3/19/99	EL
(C)	REV TOL	5/27/99	EL
(D)	ADDED SEAM LOCATION	6/22/99	EL
(E)	REV SHEET 2	6/1/01	EL
(F)	CHG'D RADIUS TO MATCH PROCESS	5/5/09	BEP

ROCHESTER DIVISION PRODUCT PRINT

The information disclosed in this drawing is confidential and the property of Schlegel Electronic Materials, INC. The use, disclosure, or reproduction of this information and related know-how is prohibited without written permission from Schlegel Electronic Materials, INC.



TOLERANCES

Profile thickness: $\pm .015$ " (0.38mm)
 Profile width: $\pm .020$ " (0.51mm)



SCALE 1:1

PDR NO.:	(4)	SEE B.O.M.	RELEASE LINER .720" WIDE (UNLESS OTHERWISE SPECIFIED)
QUOTE NO.:	(3)	SEE B.O.M.	PSA .250" WIDE (UNLESS OTHERWISE SPECIFIED)
CUSTOMER NAME:	(2)	SEE B.O.M.	CONDUCTIVE FABRIC
CUST DWG NO.:	(1)	SEE B.O.M.	URETHANE FOAM
SIZE A	Date	4/6/1995	
SHEET 3 OF 3		Item No.	Material Description
SCALE: 6:1	Approved By	Drawn By: EJL	Title: 2mm x 12.7mm EMI
Cad File No. UC10351F	Part No. E24xxZxxxxx	Dwg. No. UC3E1035	Rev. F