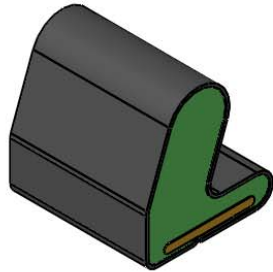


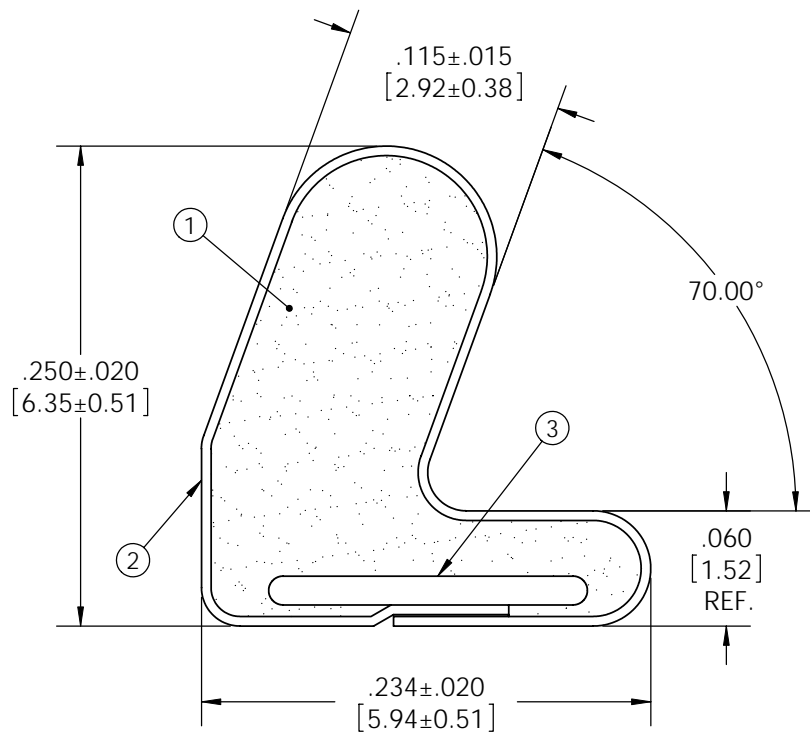
Revisions			
Level		Date	By
Ⓒ	REV PER ECO 2329	2/14/05	JED
Ⓓ	REV TO SOLIDWORKS	8/4/10	BEP
Ⓔ			
Ⓕ			

ROCHESTER DIVISION PRODUCT PRINT

The information disclosed in this drawing is confidential and the property of Schlegel Electronic Materials, INC. The use, disclosure, or reproduction of this information and related know-how is prohibited without written permission from Schlegel Electronic Materials, INC.



- NOTES:
 1) REFERENCE DIMENSIONS (REF) HAVE NO TOLERANCE AND ARE FOR INFORMATIVE PURPOSES ONLY.
 2) FOR ALL MISSING DIMENSIONS 3D CAD FILES SHOULD BE USED.
 3) UNLESS OTHERWISE SPECIFIED INTERPRET TOLERANCES ACCORDING TO ISO 2768C.



TOLERANCES
 Profile thickness: $\pm .020$ " (0.51mm)
 Profile width: $\pm .020$ " (0.51mm)



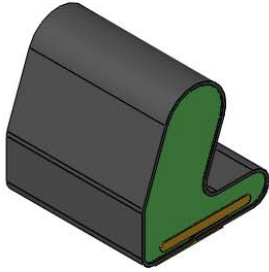
SCALE 1:1

DIMS: MILLIMETERS <input checked="" type="checkbox"/> INCHES <input checked="" type="checkbox"/>		<input checked="" type="checkbox"/> <input type="checkbox"/>		④		
PDR NO.: N/A		③		SEE B.O.M.	INSERT .170" WIDE	
CUSTOMER NAME:		②		SEE B.O.M.	CONDUCTIVE FABRIC	
CUST DWG NO.:		①		SEE B.O.M.	URETHANE FOAM	
SIZE A	Date 2/16/2005	Item No.	RM Number	Material Description		
SCALE: 10:1	Approved By	Drawn By JED	Title 6.4mm x 5.9mm C-FOLD EMI			
Cad File No. UP08861D	Part No. E21xxXXXXXX	Dwg. No. UP3E0886	Rev. D			

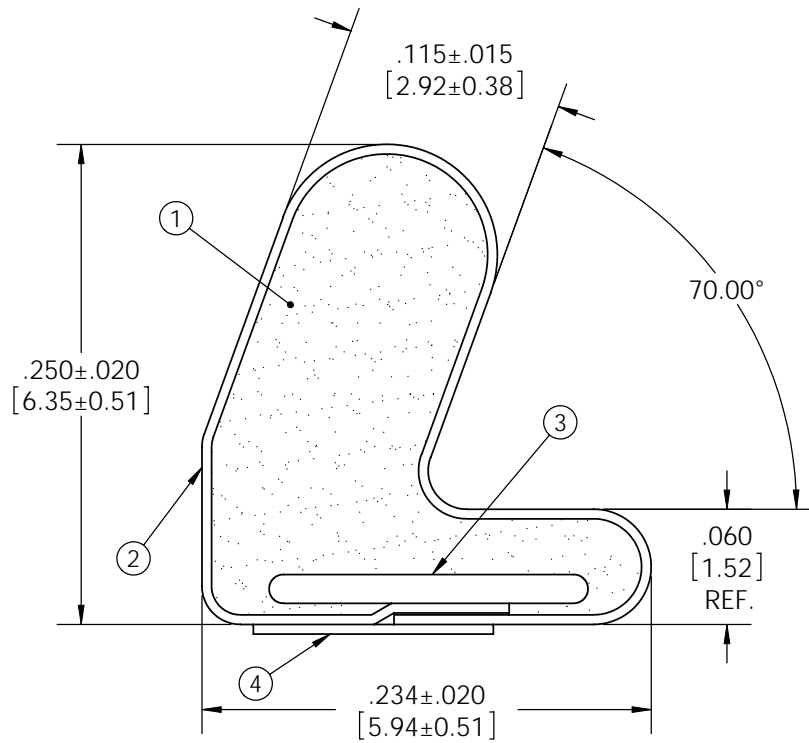
Level		Date	By
(A)	REV PER ECO 2329	2/14/05	JED
(B)	REV TO SOLIDWORKS	8/4/10	BEP
(C)			
(D)			

ROCHESTER DIVISION PRODUCT PRINT

The information disclosed in this drawing is confidential and the property of Schlegel Electronic Materials, INC. The use, disclosure, or reproduction of this information and related know-how is prohibited without written permission from Schlegel Electronic Materials, INC.



- NOTES:
 1) REFERENCE DIMENSIONS (REF) HAVE NO TOLERANCE AND ARE FOR INFORMATIVE PURPOSES ONLY.
 2) FOR ALL MISSING DIMENSIONS 3D CAD FILES SHOULD BE USED.
 3) UNLESS OTHERWISE SPECIFIED INTERPRET TOLERANCES ACCORDING TO ISO 2768C.



TOLERANCES
 Profile thickness: $\pm .020$ " (0.51mm)
 Profile width: $\pm .020$ " (0.51mm)



SCALE 1:1

DIMS: MILLIMETERS <input checked="" type="checkbox"/> INCHES <input checked="" type="checkbox"/>		<input checked="" type="checkbox"/> <input type="checkbox"/>	(4)	SEE B.O.M.	PSA .125" WIDE (UNLESS OTHERWISE SPECIFIED)
PDR NO.: N/A			(3)	SEE B.O.M.	INSERT .170" WIDE
CUSTOMER NAME:			(2)	SEE B.O.M.	CONDUCTIVE FABRIC
CUST DWG NO.:			(1)	SEE B.O.M.	URETHANE FOAM
SIZE A	Date 2/16/2005		Item No.	RM Number	Material Description
SHEET 2 OF 2					
SCALE: 10:1	Approved By		Drawn By JED	Title 6.4mm x 5.9mm C-FOLD EMI	
Cad File No. UP08861D	Part No. E21xxTxxxxx		Dwg. No. UP3E0886	Rev. D	