

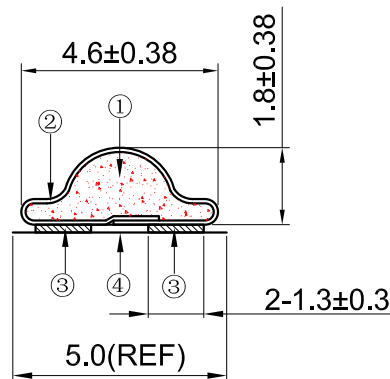


Revisions

Lev	Description	Date	By
(A)	Initial Release	31.Jul.15	Sally
(B)			
(C)			

SEM FE DIVISION PRODUCT PRINT

The Information disclosed on this drawing is confidential and the property of Schlegel Electronic Materials, Inc. The use, disclosure, or reproduction of this information and related know-how is prohibited without written permission from Schlegel Electronic Materials, Inc.



PDR:

CUST.:

CUST. P/N:

DO NOT SCALE THIS DRAWING
UNLESS PRINTER IS QUALIFIED

DECIMAL DIMENSIONS ± _____ UNLESS OTHERWISE SPECIFIED ALL DIMENSIONS IN MM Date: 31.Jul.2015 Sheet 1 of 1	④	SEE B.O.M.	RELEASE LINER .2" WIDE
	③	SEE B.O.M.	PRESSURE SENSITIVE ADHESIVE .05" WIDE
	②	SEE B.O.M.	CONDUCTIVE FABRIC
	①	SEE B.O.M.	URETHANE FOAM
Drawn Scale: 10 : 1	Approved:	Item	R.M. Number
Cad File No.	Part No.	Title: 1.8X4.6mm EMI	
	E1H	Dwg. No.	CC3E8874