



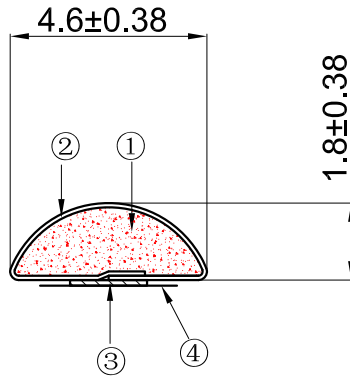
**SCHLEGEL**  
 electronic materials  
 a member of **EMEI** group

Revisions

Lev	Description	Date	By
Ⓐ	Initial Release	03.Dec.14	Sally
Ⓑ			
Ⓒ			

SEM FE DIVISION PRODUCT PRINT

The Information disclosed on this drawing is confidential and the property of Schlegel Electronic Materials, Inc. The use, disclosure, or reproduction of this information and related know-how is prohibited without written permission from Schlegel Electronic Materials, Inc.



PDR:

CUST.:

CUST. P/N:

DO NOT SCALE THIS DRAWING  
 UNLESS PRINTER IS QUALIFIED

DECIMAL DIMENSIONS ± _____ UNLESS OTHERWISE SPECIFIED ALL DIMENSIONS IN MM Date: 03.Dec.14 Sheet 1 of 1	④	SEE B.O.M.	RELEASE LINER .126" WIDE
	③	SEE B.O.M.	PRESSURE SENSITIVE ADHESIVE .071" WIDE
	②	SEE B.O.M.	CONDUCTIVE FABRIC
	①	SEE B.O.M.	URETHANE FOAM
Drawn Scale: 1 : 1	Approved:	Item	R.M. Number
		Material Description	
Cad File No.		Part No. E1F__X_____	Dwg. No. CC3E8868
		Title: 1.8X4.6mm EMI	