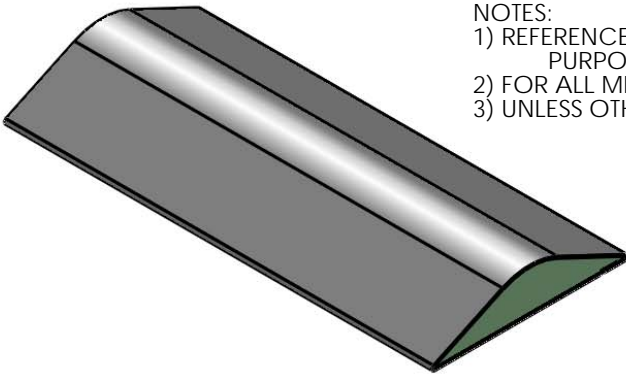


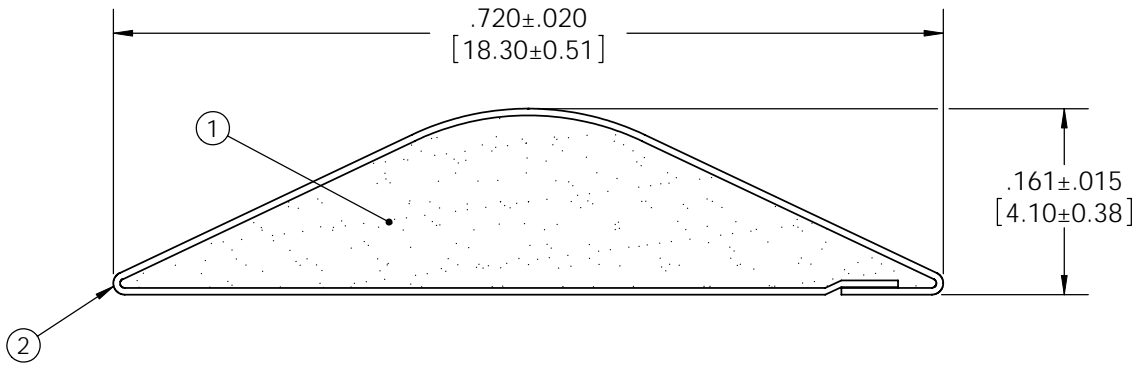
Revisions			
Level		Date	By
(A)	REV TO SOLIDWORKS	5/5/10	BEP
(B)			
(C)			
(D)			

ROCHESTER DIVISION PRODUCT PRINT

The information disclosed in this drawing is confidential and the property of Schlegel Electronic Materials, INC. The use, disclosure, or reproduction of this information and related know-how is prohibited without written permission from Schlegel Electronic Materials, INC.



- NOTES:  
 1) REFERENCE DIMENSIONS (REF) HAVE NO TOLERANCE AND ARE FOR INFORMATIVE PURPOSES ONLY.  
 2) FOR ALL MISSING DIMENSIONS 3D CAD FILES SHOULD BE USED.  
 3) UNLESS OTHERWISE SPECIFIED INTERPRET TOLERANCES ACCORDING TO ISO 2768C.



TOLERANCES

Profile thickness:  $\pm 0.015$ " (0.38mm)  
 Profile width:  $\pm 0.020$ " (0.51mm)



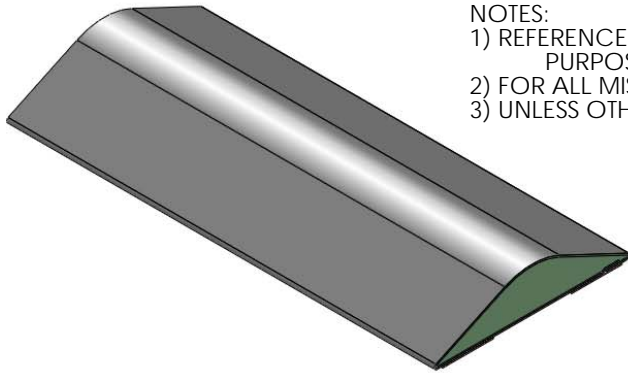
SCALE 1:1

DIMS: MILLIMETERS <input checked="" type="checkbox"/> INCHES <input checked="" type="checkbox"/>		<input checked="" type="checkbox"/> <input type="checkbox"/>	(4)		
PDR NO.:			(3)		
CUSTOMER NAME:			(2)	SEE B.O.M.	CONDUCTIVE FABRIC
CUST DWG NO.:			(1)	SEE B.O.M.	URETHANE FOAM
SIZE A	Date 4/15/2010		Item No.	RM Number	Material Description
SCALE: 6:1		Approved By	Drawn By WEI	Title 4.1mm x 18.3mm D-SHAPE EMI	
Cad File No. DC49471A	Part No. E1ExXxxxxx	Dwg. No. DC3E4947		Rev. A	

Revisions			
Level		Date	By
(A)	REV TO SOLIDWORKS	5/5/10	BEP
(B)			
(C)			
(D)			

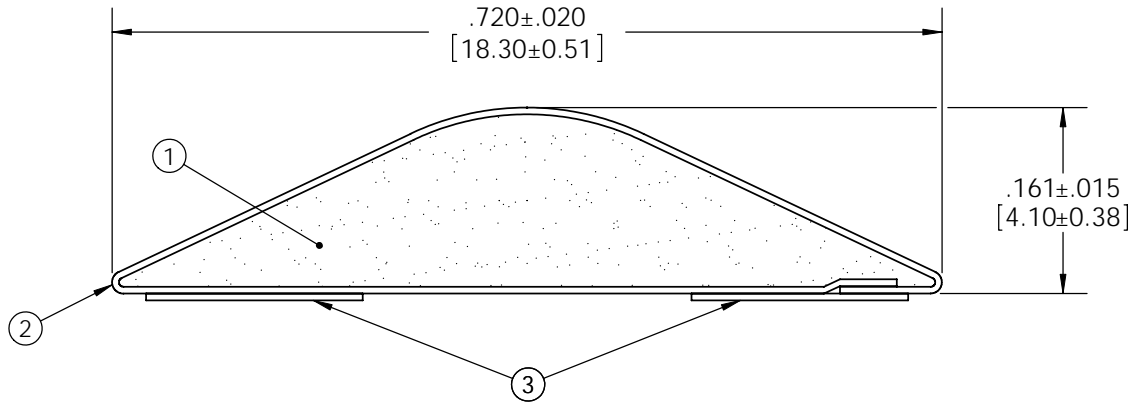
ROCHESTER DIVISION PRODUCT PRINT

The information disclosed in this drawing is confidential and the property of Schlegel Electronic Materials, INC. The use, disclosure, or reproduction of this information and related know-how is prohibited without written permission from Schlegel Electronic Materials, INC.



NOTES:

- 1) REFERENCE DIMENSIONS (REF) HAVE NO TOLERANCE AND ARE FOR INFORMATIVE PURPOSES ONLY.
- 2) FOR ALL MISSING DIMENSIONS 3D CAD FILES SHOULD BE USED.
- 3) UNLESS OTHERWISE SPECIFIED INTERPRET TOLERANCES ACCORDING TO ISO 2768C.



TOLERANCES

Profile thickness:  $\pm .015$ " (0.38mm)  
 Profile width:  $\pm .020$ " (0.51mm)



SCALE 1:1

DIMS: MILLIMETERS <input checked="" type="checkbox"/> INCHES <input checked="" type="checkbox"/>		<input checked="" type="checkbox"/> <input type="checkbox"/>	(4)		
PDR NO.:		(3)	SEE B.O.M.	PSA .188" WIDE (UNLESS OTHERWISE SPECIFIED)	
CUSTOMER NAME:		(2)	SEE B.O.M.	CONDUCTIVE FABRIC	
CUST DWG NO.:		(1)	SEE B.O.M.	URETHANE FOAM	
SIZE A	Date	4/15/2010	Item No.	RM Number	Material Description
SCALE: 6:1		Approved By	Drawn By	WEI	Title
DC49471A					4.1mm x 18.3mm D-SHAPE EMI
Cad File No.	DC49471A	Part No.	E1ExxTxxxxx	Dwg. No.	DC3E4947
					Rev. A