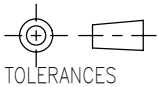
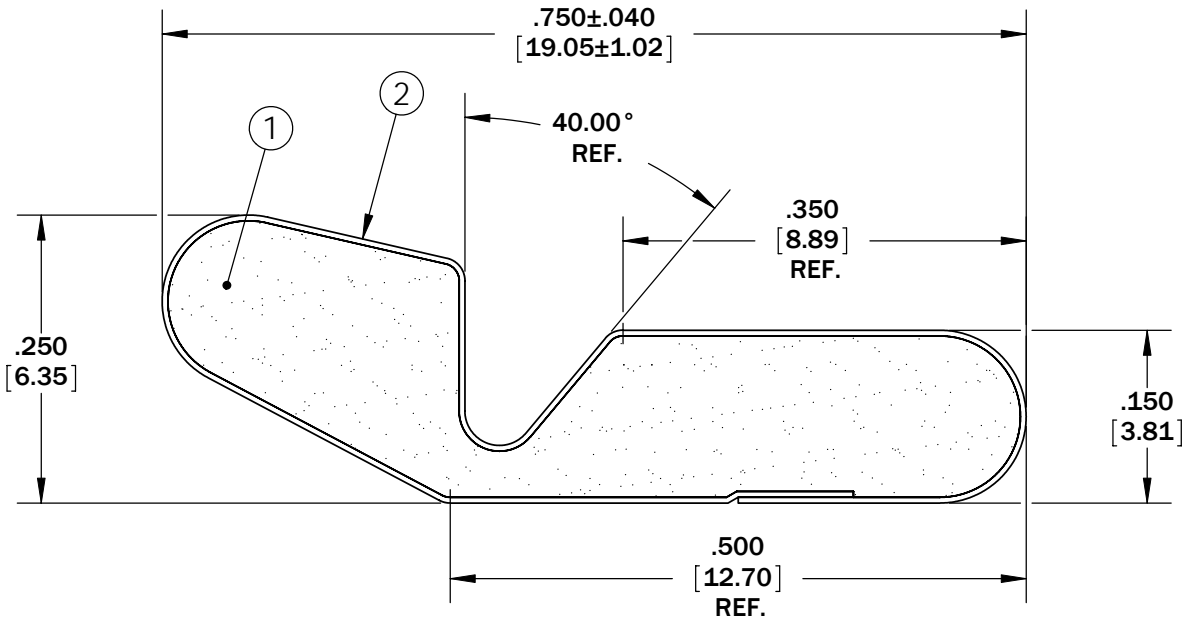
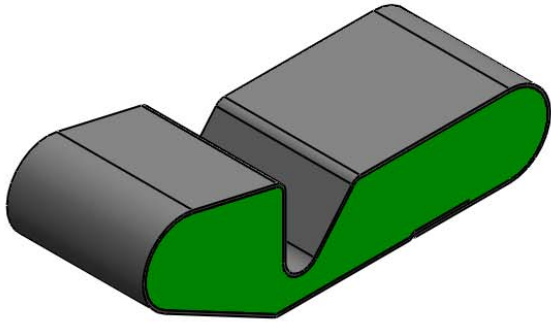


Level		Date	By
(A)	ITEM 4 WAS NOT SHOWN	6/11/97	EL
(B)	REV PER ECO 2056	3/18/99	EL
(C)	UPDATE SHEET FORMAT	6/24/09	BEP
(D)			

ROCHESTER DIVISION PRODUCT PRINT

The information disclosed in this drawing is confidential and the property of Schlegel Electronic Materials, INC. The use, disclosure, or reproduction of this information and related know-how is prohibited without written permission from Schlegel Electronic Materials, INC.



TOLERANCES

Profile width: ±.040" (1.02mm)



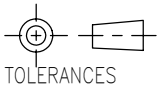
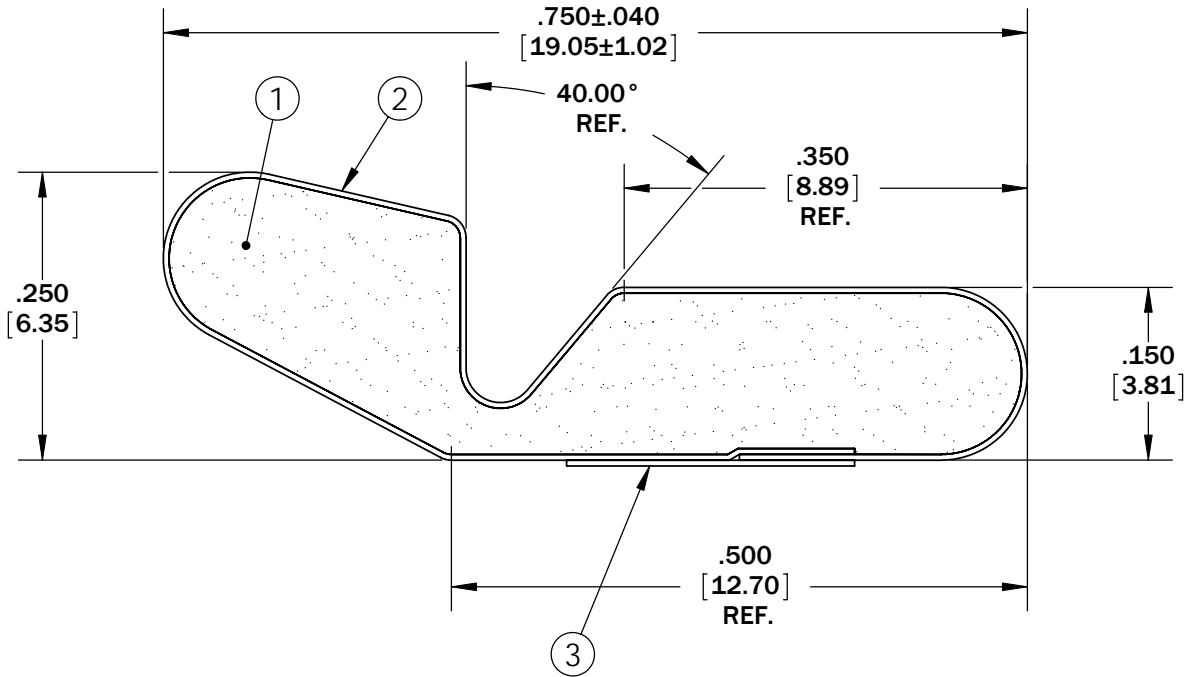
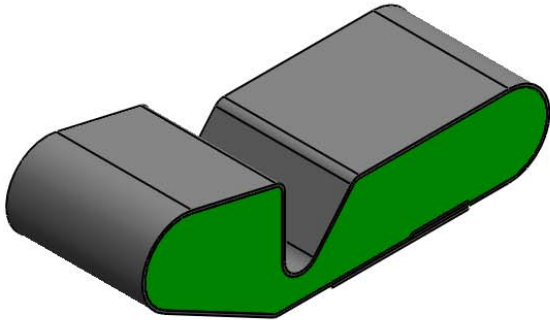
SCALE 1:1

PDR NO.:	(4)		
QUOTE NO.:	(3)		
CUSTOMER NAME:	(2)	SEE B.O.M.	CONDUCTIVE ADHESIVE
CUST DWG NO.:	(1)	SEE B.O.M.	URETHANE FOAM
SIZE A	Date	2/24/1997	
	SHEET 1 OF 3		
SCALE: 6:1	Approved By	Drawn By MJD	Title 6.4mm x 19.1mm KNIFE EDGE EMI
Cad File No. UC14421C	Part No. E19xxXXXXXX	Dwg. No. UC3E1442	Rev. C

Level		Date	By
(A)	ITEM 4 WAS NOT SHOWN	6/11/97	EL
(B)	REV PER ECO 2056	3/18/99	EL
(C)	UPDATE SHEET FORMAT	6/24/09	BEP
(D)			

ROCHESTER DIVISION PRODUCT PRINT

The information disclosed in this drawing is confidential and the property of Schlegel Electronic Materials, INC. The use, disclosure, or reproduction of this information and related know-how is prohibited without written permission from Schlegel Electronic Materials, INC.



TOLERANCES

Profile width: ±.040" (1.02mm)



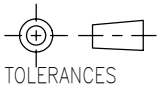
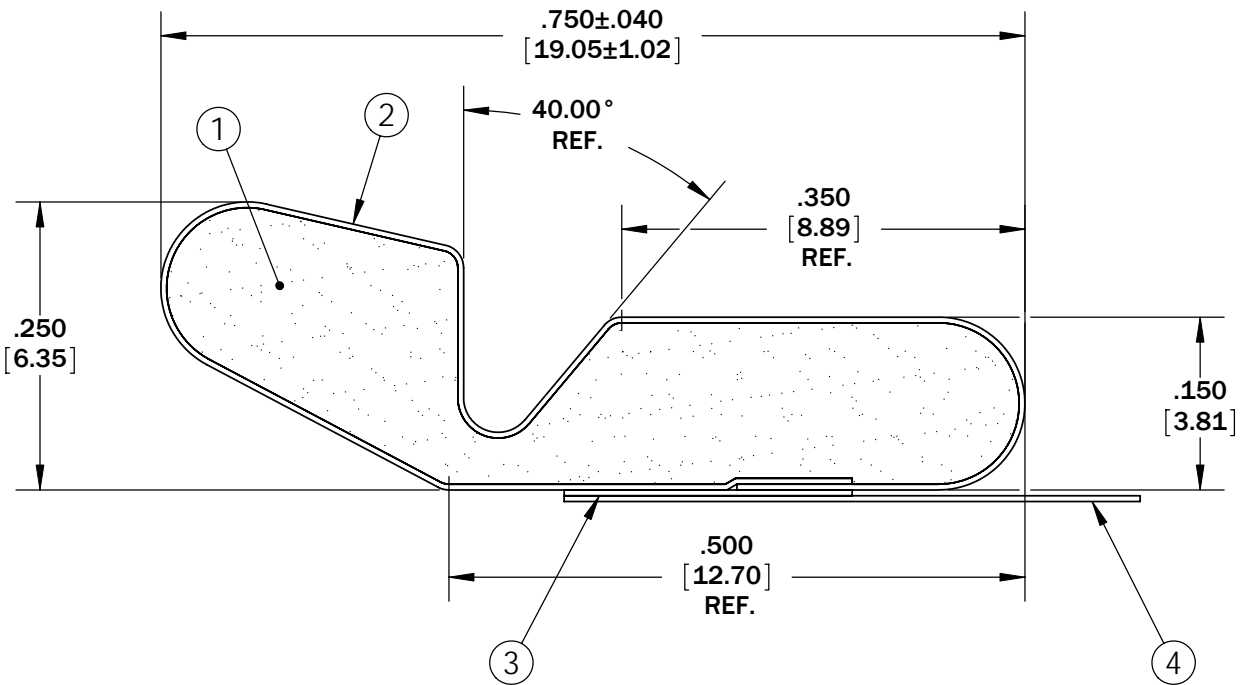
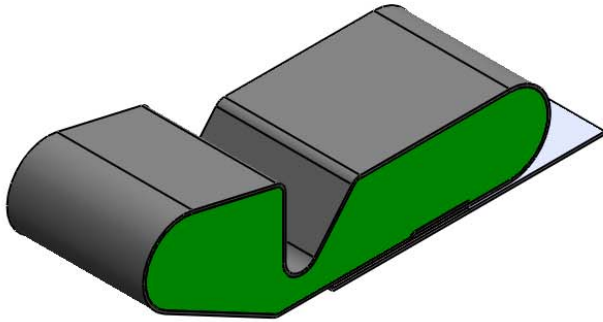
SCALE 1:1

PDR NO.:	(4)		
QUOTE NO.:	(3)	SEE B.O.M.	PSA .250" WIDE (UNLESS OTHERWISE SPECIFIED)
CUSTOMER NAME:	(2)	SEE B.O.M.	CONDUCTIVE ADHESIVE
CUST DWG NO.:	(1)	SEE B.O.M.	URETHANE FOAM
SIZE A	Date	2/24/1997	
SHEET 2 OF 3		Item No.	Material Description
SCALE: 6:1	Approved By	Drawn By MJD	Title 6.4mm x 19.1mm KNIFE EDGE EMI
Cad File No. UC14421C	Part No. E19xxTxxxxx	Dwg. No. UC3E1442	Rev. C

Level		Date	By
(A)	ITEM 4 WAS NOT SHOWN	6/11/97	EL
(B)	REV PER ECO 2056	3/18/99	EL
(C)	UPDATE SHEET FORMAT	6/24/09	BEP
(D)			

ROCHESTER DIVISION PRODUCT PRINT

The information disclosed in this drawing is confidential and the property of Schlegel Electronic Materials, INC. The use, disclosure, or reproduction of this information and related know-how is prohibited without written permission from Schlegel Electronic Materials, INC.



TOLERANCES

Profile width: $\pm .040"$ (1.02mm)



SCALE 1:1

PDR NO.:	(4)	SEE B.O.M.	RELEASE LINER .500" WIDE (UNLESS OTHERWISE SPECIFIED)
QUOTE NO.:	(3)	SEE B.O.M.	PSA .250" WIDE (UNLESS OTHERWISE SPECIFIED)
CUSTOMER NAME:	(2)	SEE B.O.M.	CONDUCTIVE ADHESIVE
CUST DWG NO.:	(1)	SEE B.O.M.	URETHANE FOAM
DATE	2/24/1997		
SIZE	A		
SHEET 3 OF 3		Item No.	Material Description
SCALE: 6:1	Approved By	Drawn By: MJD	Title: 6.4mm x 19.1mm KNIFE EDGE EMI
Cad File No. UC14421C	Part No. E19xxZxxxxx	Dwg. No. UC3E1442	Rev. C