

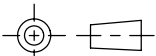
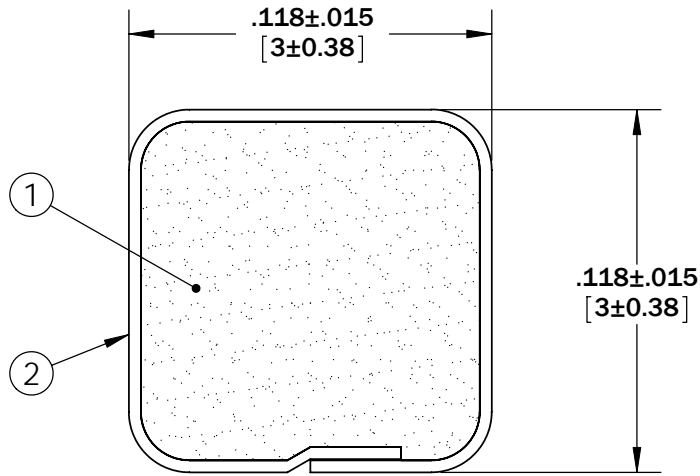
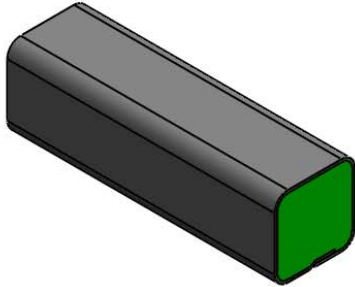


Revisions

Level		Date	By
(A)	REV PROFILE NUMBER	8/3/00	EL
(B)	REV PROFILE NUMBER PER ECO 2187	8/3/00	EL
(C)	REV SCALE PER ECO TN007	6/20/05	JD
(D)	UPDATE SHEET FORMAT	6/22/09	BEP

ROCHESTER DIVISION PRODUCT PRINT

The information disclosed in this drawing is confidential and the property of Schlegel Electronic Materials, INC. The use, disclosure, or reproduction of this information and related know-how is prohibited without written permission from Schlegel Electronic Materials, INC.



TOLERANCES

Profile thickness: ± 0.015 " (0.38mm)
 Profile width: ± 0.015 " (0.38mm)



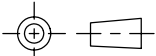
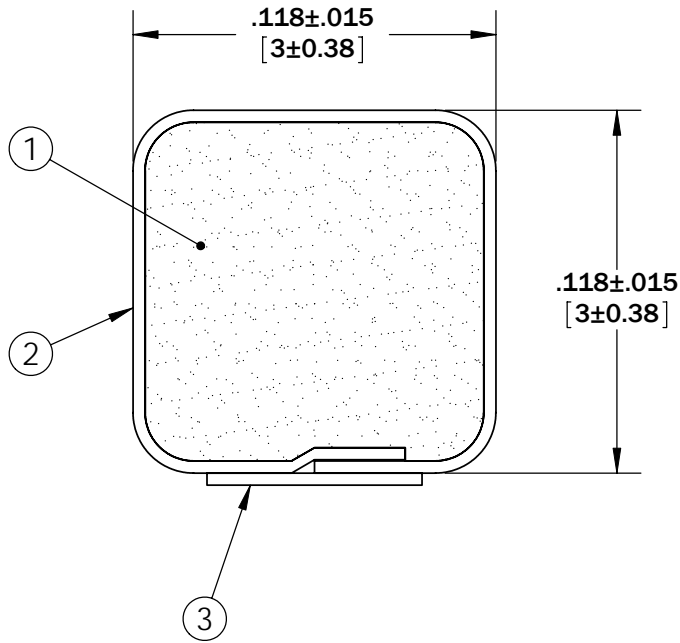
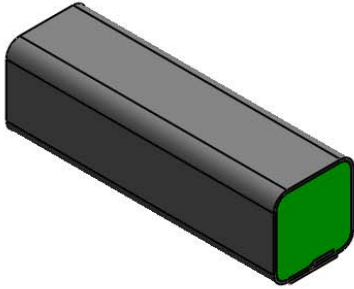
SCALE 1:1

PDR NO.:	(4)		
QUOTE NO.:	(3)		
CUSTOMER NAME:	(2)	SEE B.O.M.	CONDUCTIVE ADHESIVE
CUST DWG NO.:	(1)	SEE B.O.M.	URETHANE FOAM
SIZE A	Date	3/18/1999	
SHEET 1 OF 3		Item No.	RM Number
SCALE: 10:1		Approved By	Drawn By EJL
Title		3mm x 3mm EMI	
Cad File No.	UP08271D	Part No.	E18xxXxxxxx
Dwg. No.	UP3E0827	Rev.	D

Revisions			
Level		Date	By
(A)	REV PROFILE NUMBER	8/3/00	EL
(B)	REV PROFILE NUMBER PER ECO 2187	8/3/00	EL
(C)	REV SCALE PER ECO TN007	6/20/05	JD
(D)	UPDATE SHEET FORMAT	6/22/09	BEP

ROCHESTER DIVISION PRODUCT PRINT

The information disclosed in this drawing is confidential and the property of Schlegel Electronic Materials, INC. The use, disclosure, or reproduction of this information and related know-how is prohibited without written permission from Schlegel Electronic Materials, INC.



TOLERANCES

Profile thickness: ± 0.015 " (0.38mm)
 Profile width: ± 0.015 " (0.38mm)



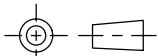
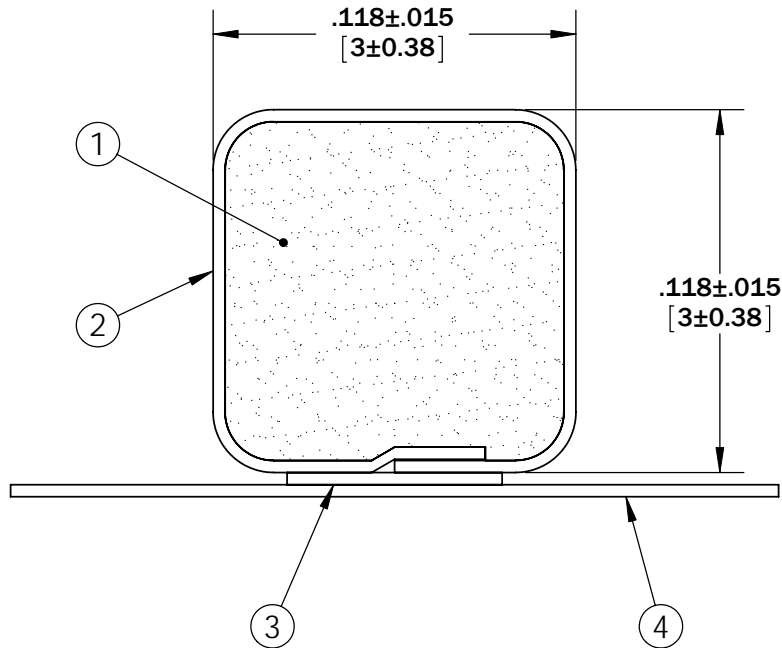
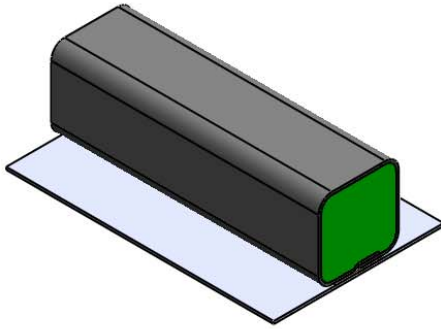
SCALE 1:1

PDR NO.:	(4)		
QUOTE NO.:	(3)	SEE B.O.M.	PSA .070" WIDE (UNLESS OTHERWISE SPECIFIED)
CUSTOMER NAME:	(2)	SEE B.O.M.	CONDUCTIVE ADHESIVE
CUST DWG NO.:	(1)	SEE B.O.M.	URETHANE FOAM
DATE	3/18/1999		
SIZE A			
SHEET 2 OF 3		Item No.	Material Description
SCALE: 10:1	Approved By	Drawn By: EJL	Title: 3mm x 3mm EMI
Cad File No. UP08271D	Part No. E18xxTxxxxx	Dwg. No. UP3E0827	Rev. D

Level		Date	By
(A)	REV PROFILE NUMBER	8/3/00	EL
(B)	REV PROFILE NUMBER PER ECO 2187	8/3/00	EL
(C)	REV SCALE PER ECO TN007	6/20/05	JD
(D)	UPDATE SHEET FORMAT	6/22/09	BEP

ROCHESTER DIVISION PRODUCT PRINT

The information disclosed in this drawing is confidential and the property of Schlegel Electronic Materials, INC. The use, disclosure, or reproduction of this information and related know-how is prohibited without written permission from Schlegel Electronic Materials, INC.



TOLERANCES

Profile thickness: ± 0.015 " (0.38mm)
 Profile width: ± 0.015 " (0.38mm)



SCALE 1:1

PDR NO.:	(4)	SEE B.O.M.	RELEASE LINER .250" WIDE (UNLESS OTHERWISE SPECIFIED)
QUOTE NO.:	(3)	SEE B.O.M.	PSA .070" WIDE (UNLESS OTHERWISE SPECIFIED)
CUSTOMER NAME:	(2)	SEE B.O.M.	CONDUCTIVE ADHESIVE
CUST DWG NO.:	(1)	SEE B.O.M.	URETHANE FOAM
SIZE A	Date	3/18/1999	
SHEET 3 OF 3		Item No.	Material Description
SCALE: 10:1	Approved By	Drawn By: EJL	Title: 3mm x 3mm EMI
Cad File No. UP08271D	Part No. E18xxZxxxxx	Dwg. No. UP3E0827	Rev. D