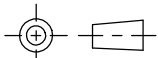
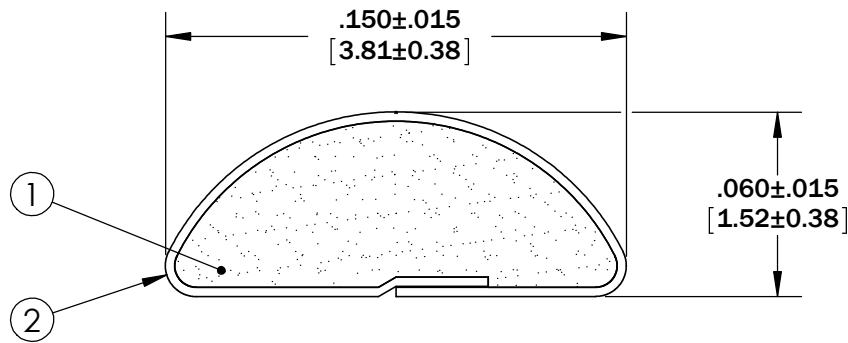
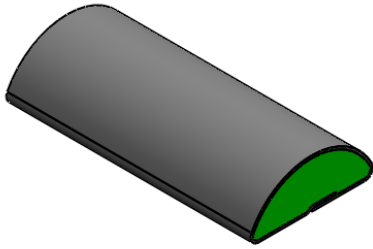


Level		Date	By
(A)	UPDATE SHEET FORMAT	6/22/09	BEP
(B)			
(C)			
(D)			

ROCHESTER DIVISION PRODUCT PRINT

The information disclosed in this drawing is confidential and the property of Schlegel Electronic Materials, INC. The use, disclosure, or reproduction of this information and related know-how is prohibited without written permission from Schlegel Electronic Materials, INC.



TOLERANCES
 Profile thickness: ± 0.015 " (0.38mm)
 Profile width: ± 0.015 " (0.38mm)

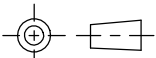
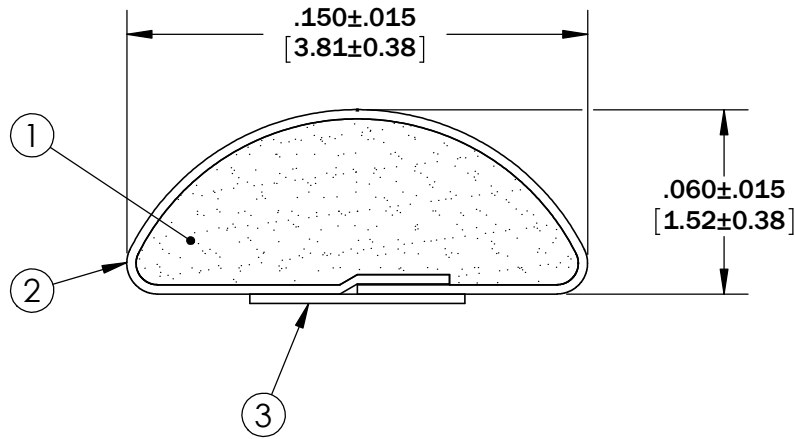
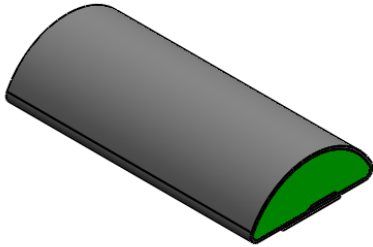
SCALE 1:1

PDR NO.:	(4)		
QUOTE NO.:	(3)		
CUSTOMER NAME:	(2)	SEE B.O.M.	CONDUCTIVE FABRIC
CUST DWG NO.:	(1)	SEE B.O.M.	URETHANE FOAM
SIZE A	Date	12/21/1998	
	SHEET 1 OF 2		Material Description
SCALE: 10:1	Approved By	Drawn By EJJ	Title 1.5mm x 3.8mm D-SHAPE EMI
Cad File No. UP14411A	Part No. E17xxXXXXXX	Dwg. No. UP3E1441	Rev. A

Revisions			
Level		Date	By
(A)	UPDATE SHEET FORMAT	6/22/09	BEP
(B)			
(C)			
(D)			

ROCHESTER DIVISION PRODUCT PRINT

The information disclosed in this drawing is confidential and the property of Schlegel Electronic Materials, INC. The use, disclosure, or reproduction of this information and related know-how is prohibited without written permission from Schlegel Electronic Materials, INC.



TOLERANCES
 Profile thickness: ±.015" (0.38mm)
 Profile width: ±.015" (0.38mm)

SCALE 1:1

PDR NO.:	(4)		
QUOTE NO.:	(3)	SEE B.O.M.	PSA .070" WIDE (UNLESS OTHERWISE SPECIFIED)
CUSTOMER NAME:	(2)	SEE B.O.M.	CONDUCTIVE FABRIC
CUST DWG NO.:	(1)	SEE B.O.M.	URETHANE FOAM
SIZE A	Date	12/21/1998	
SHEET 2 OF 2		Item No.	Material Description
SCALE: 10:1	Approved By	Drawn By: EJJ	Title: 1.5mm x 3.8mm D-SHAPE EMI
Cad File No. UP14411A	Part No. E17xxRxxxxx	Dwg. No. UP3E1441	Rev. A