

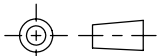
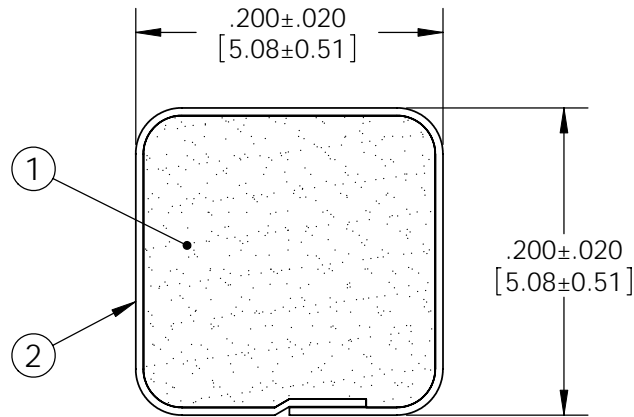
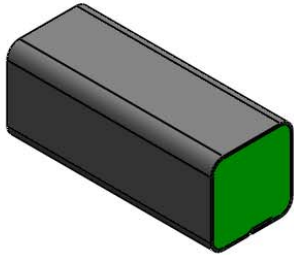


Revisions

Level		Date	By
(A)	REV TAPE	6/1/01	EL
(B)	UPDATE SHEET FORMAT	6/22/09	BEP
(C)			
(D)			

ROCHESTER DIVISION PRODUCT PRINT

The information disclosed in this drawing is confidential and the property of Schlegel Electronic Materials, INC. The use, disclosure, or reproduction of this information and related know-how is prohibited without written permission from Schlegel Electronic Materials, INC.



TOLERANCES

Profile thickness:  $\pm .020$ " (0.51mm)  
 Profile width:  $\pm .020$ " (0.51mm)



SCALE 1:1

PDR NO.:	(4)		
QUOTE NO.:	(3)		
CUSTOMER NAME:	(2)	SEE B.O.M.	CONDUCTIVE FABRIC
CUST DWG NO.:	(1)	SEE B.O.M.	URETHANE FOAM
SIZE A	Date	3/18/1999	
	SHEET 1 OF 3		Item No. RM Number Material Description
SCALE: 8:1	Approved By	Drawn By EJJ	Title 5.08mm x 5.08mm EMI
Cad File No. UP05821B	Part No. E14xxXXXXX	Dwg. No. UP3E0582	Rev. B

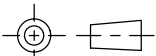
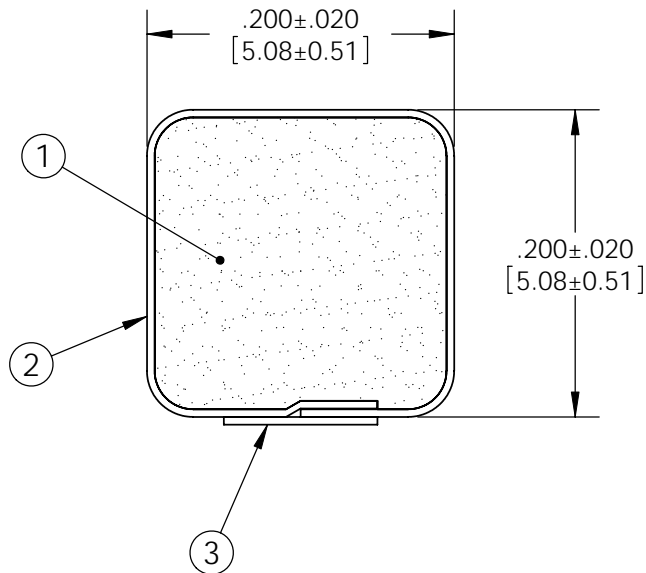
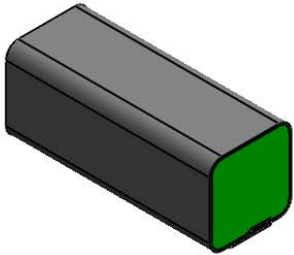


Revisions

Level		Date	By
(A)	REV TAPE	6/1/01	EL
(B)	UPDATE SHEET FORMAT	6/22/09	BEP
(C)			
(D)			

ROCHESTER DIVISION PRODUCT PRINT

The information disclosed in this drawing is confidential and the property of Schlegel Electronic Materials, INC. The use, disclosure, or reproduction of this information and related know-how is prohibited without written permission from Schlegel Electronic Materials, INC.



TOLERANCES

Profile thickness:  $\pm .020$ " (0.51mm)  
 Profile width:  $\pm .020$ " (0.51mm)



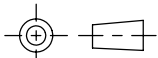
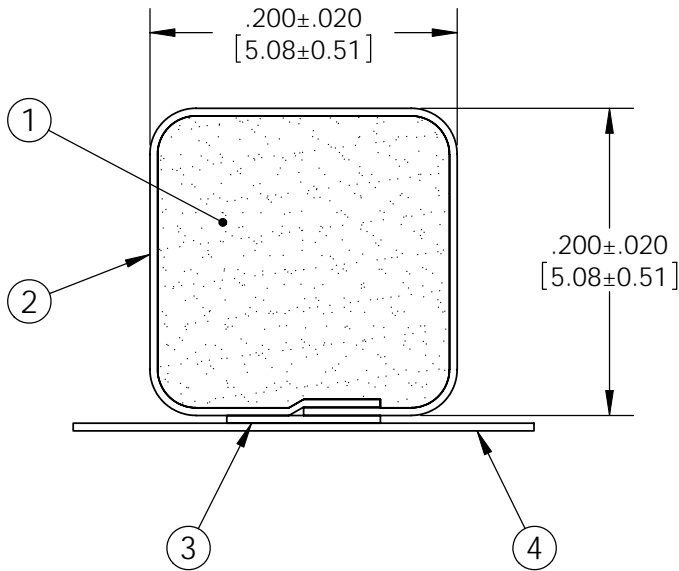
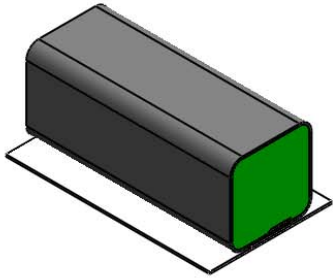
SCALE 1:1

PDR NO.:	(4)		
QUOTE NO.:	(3)	SEE B.O.M.	PSA .100" WIDE (UNLESS OTHERWISE SPECIFIED)
CUSTOMER NAME:	(2)	SEE B.O.M.	CONDUCTIVE FABRIC
CUST DWG NO.:	(1)	SEE B.O.M.	URETHANE FOAM
SIZE A	Date	3/18/1999	
SHEET 2 OF 3		Item No.	Material Description
SCALE: 8:1	Approved By	Drawn By EJL	Title 5.08mm x 5.08mm EMI
Cad File No. UP05821B	Part No. E14xxTxxxxx	Dwg. No. UP3E0582	Rev. B

Revisions			
Level		Date	By
(A)	REV TAPE	6/1/01	EL
(B)	UPDATE SHEET FORMAT	6/22/09	BEP
(C)			
(D)			

ROCHESTER DIVISION PRODUCT PRINT

The information disclosed in this drawing is confidential and the property of Schlegel Electronic Materials, INC. The use, disclosure, or reproduction of this information and related know-how is prohibited without written permission from Schlegel Electronic Materials, INC.



TOLERANCES  
 Profile thickness:  $\pm .020$ " (0.51mm)  
 Profile width:  $\pm .020$ " (0.51mm)



SCALE 1:1

PDR NO.:	(4)	SEE B.O.M.	RELEASE LINER .300" WIDE (UNLESS OTHERWISE SPECIFIED)
QUOTE NO.:	(3)	SEE B.O.M.	PSA .100" WIDE (UNLESS OTHERWISE SPECIFIED)
CUSTOMER NAME:	(2)	SEE B.O.M.	CONDUCTIVE FABRIC
CUST DWG NO.:	(1)	SEE B.O.M.	URETHANE FOAM
SIZE A	Date	3/18/1999	
SHEET 3 OF 3		Item No.	RM Number
SCALE: 8:1		Approved By	Drawn By EJL
Title		5.08mm x 5.08mm EMI	
Cad File No.	UP05821B	Part No.	E14xxZxxxxx
Dwg. No.		UP3E0582	
Rev.			B