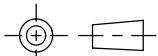
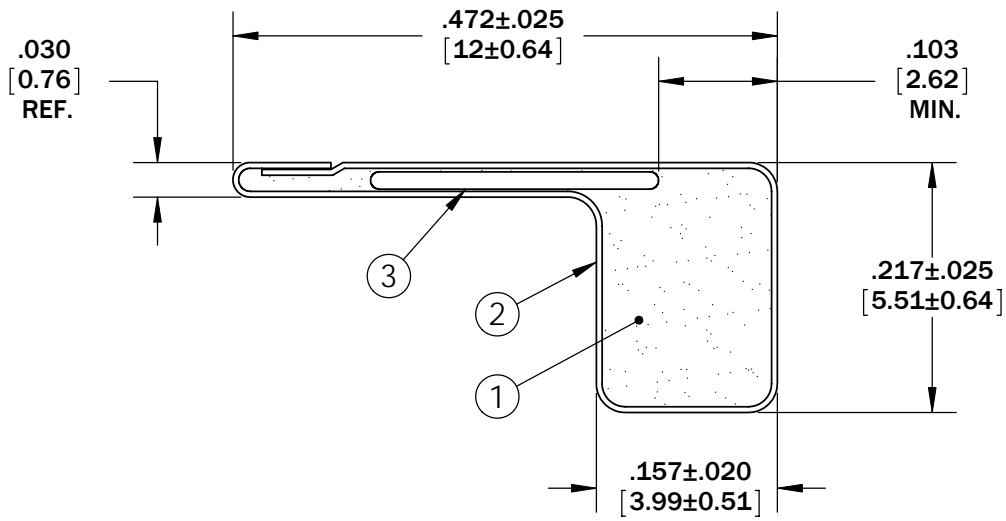
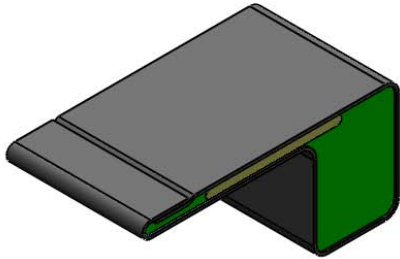


Level		Date	By
(D)	REV PER ECO 2056	3/17/99	EL
(E)	ADDED SHEET 3	3/24/00	EL
(F)	UPDATE SHEET FORMAT	6/19/09	BEP
(G)			

ROCHESTER DIVISION PRODUCT PRINT

The information disclosed in this drawing is confidential and the property of Schlegel Electronic Materials, INC. The use, disclosure, or reproduction of this information and related know-how is prohibited without written permission from Schlegel Electronic Materials, INC.



TOLERANCES

Profile thickness: $\pm .025$ " (0.64mm)
 Profile width: $\pm .025$ " (0.64mm)



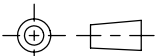
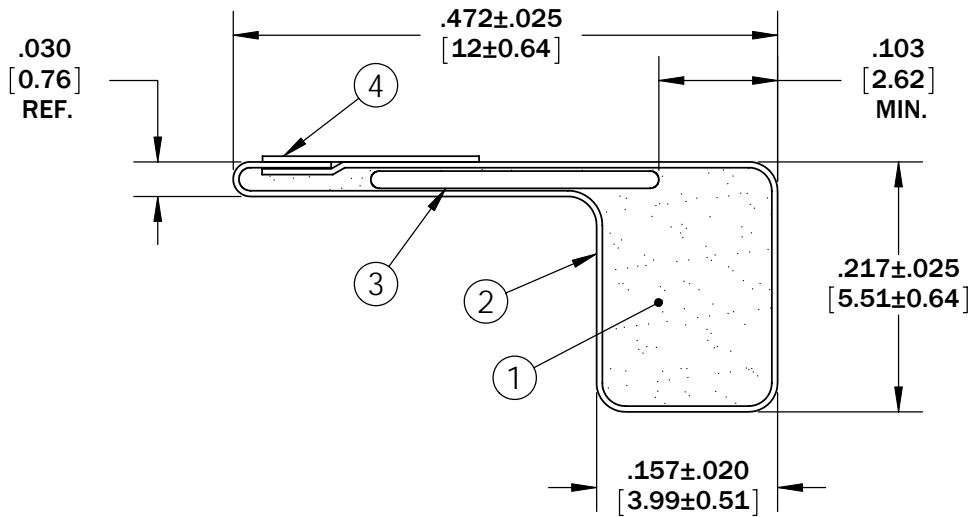
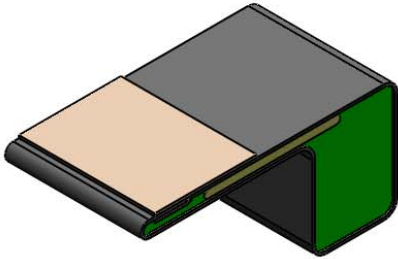
SCALE 1:1

PDR NO.:	(4)		
QUOTE NO.:	(3)	M2904-025-8	.015 x .250" POLYCARBONATE INSERT
CUSTOMER NAME:	(2)	SEE B.O.M.	CONDUCTIVE FABRIC
CUST DWG NO.:	(1)	SEE B.O.M.	URETHANE FOAM
DATE	4/20/1992		
SIZE A	SHEET 1 OF 3	Item No.	Material Description
SCALE: 6:1	Approved By	Drawn By EJL	Title 5.5mm x 12mm L-SHAPE EMI
Cad File No. UP05631F	Part No. E13xxXXXXXX	Dwg. No. UP3E0563	Rev. F

Revisions			
Level		Date	By
Ⓓ	REV PER ECO 2056	3/17/99	EL
Ⓔ	ADDED SHEET 3	3/24/00	EL
Ⓕ	UPDATE SHEET FORMAT	6/19/09	BEP
Ⓖ			

ROCHESTER DIVISION PRODUCT PRINT

The information disclosed in this drawing is confidential and the property of Schlegel Electronic Materials, INC. The use, disclosure, or reproduction of this information and related know-how is prohibited without written permission from Schlegel Electronic Materials, INC.



TOLERANCES

Profile thickness: $\pm .025$ " (0.64mm)
 Profile width: $\pm .025$ " (0.64mm)



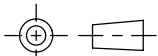
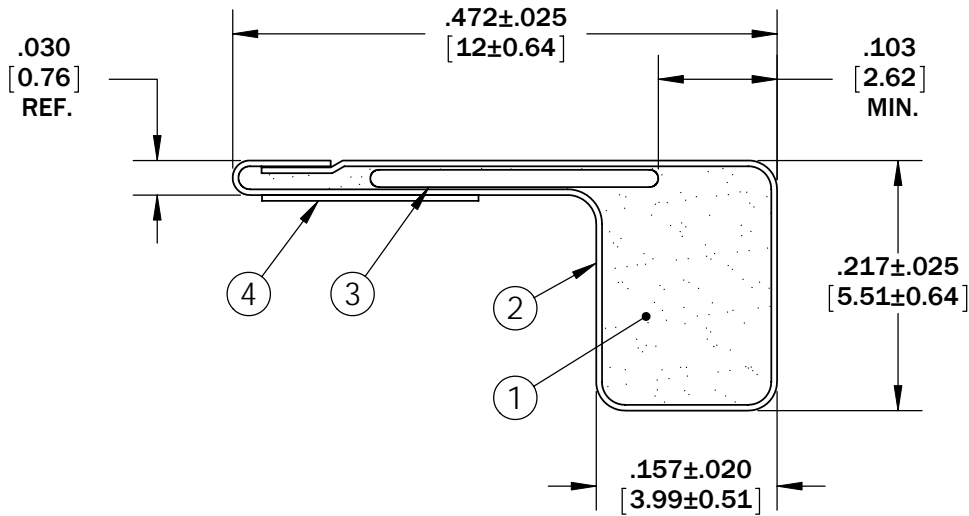
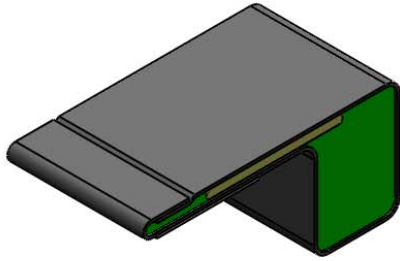
SCALE 1:1

PDR NO.:	Ⓓ	R2855-018-6	PSA .188" WIDE (UNLESS OTHERWISE SPECIFIED)
QUOTE NO.:	Ⓔ	M2904-025-8	.015 x .250" POLYCARBONATE INSERT
CUSTOMER NAME:	Ⓕ	SEE B.O.M.	CONDUCTIVE FABRIC
CUST DWG NO.:	Ⓖ	SEE B.O.M.	URETHANE FOAM
SIZE A	Date	4/20/1992	
SHEET 2 OF 3		Item No.	Material Description
SCALE: 6:1	Approved By	Drawn By	Title
Cad File No. UP05631F	Part No. E13xxTxxxxx	Dwg. No. UP3E0563	Rev. F

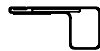
Level		Date	By
ⓓ	REV PER ECO 2056	3/17/99	EL
ⓔ	ADDED SHEET 3	3/24/00	EL
ⓕ	UPDATE SHEET FORMAT	6/19/09	BEP
ⓖ			

ROCHESTER DIVISION PRODUCT PRINT

The information disclosed in this drawing is confidential and the property of Schlegel Electronic Materials, INC. The use, disclosure, or reproduction of this information and related know-how is prohibited without written permission from Schlegel Electronic Materials, INC.



TOLERANCES
 Profile thickness: $\pm .025$ " (0.64mm)
 Profile width: $\pm .025$ " (0.64mm)



SCALE 1:1

PDR NO.:	④	R2855-018-6	PSA .188" WIDE (UNLESS OTHERWISE SPECIFIED)
QUOTE NO.:	③	M2904-025-8	.015 x .250" POLYCARBONATE INSERT
CUSTOMER NAME:	②	SEE B.O.M.	CONDUCTIVE FABRIC
CUST DWG NO.:	①	SEE B.O.M.	URETHANE FOAM
SIZE A	Date	4/20/1992	
SHEET 3 OF 3		Item No.	Material Description
SCALE: 6:1	Approved By	Drawn By EJL	Title 5.5mm x 12mm L-SHAPE EMI
Cad File No. UP05631F	Part No. E13xxBxxxxx	Dwg. No. UP3E0563	Rev. F