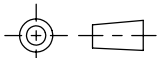
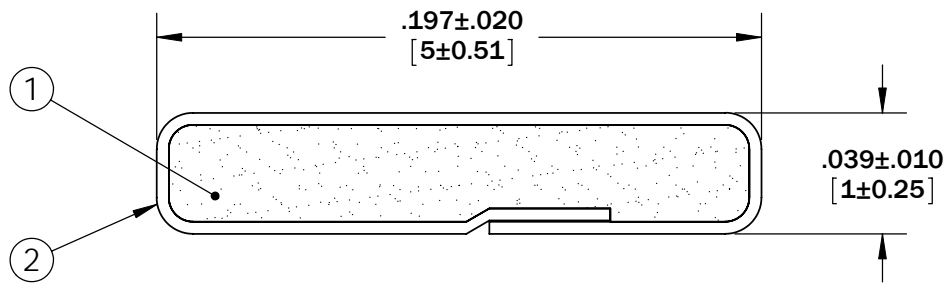
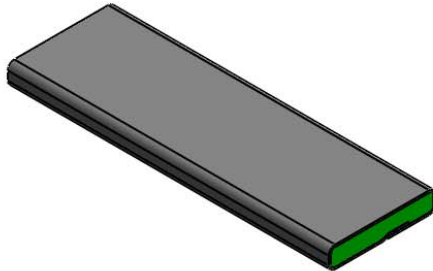


Revisions

Level		Date	By
(A)	REV PER ECO 2288	6/17/03	EL
(B)	UPDATE SHEET FORMAT	6/12/09	BEP
(C)			
(D)			

ROCHESTER DIVISION PRODUCT PRINT

The information disclosed in this drawing is confidential and the property of Schlegel Electronic Materials, INC. The use, disclosure, or reproduction of this information and related know-how is prohibited without written permission from Schlegel Electronic Materials, INC.



TOLERANCES

Profile thickness: ± 0.10 " (0.25mm)
 Profile width: ± 0.020 " (0.51mm)

SCALE 1:1

PDR NO.:	(4)		
QUOTE NO.:	(3)		
CUSTOMER NAME:	(2)	SEE B.O.M.	CONDUCTIVE FABRIC
CUST DWG NO.:	(1)	SEE B.O.M.	URETHANE FOAM
SIZE A	Date 4/21/2003	Item No.	RM Number
SHEET 1 OF 3		Material Description	
SCALE: 10:1	Approved By	Drawn By EJL	Title 1mm x 5mm EMI
Cad File No. UP06891B	Part No. E12xxXxxxxx	Dwg. No. UP3E0689	Rev. B

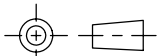
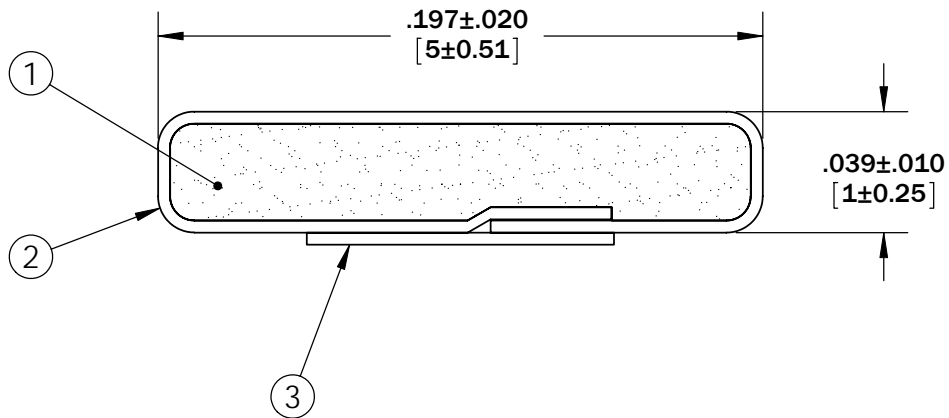
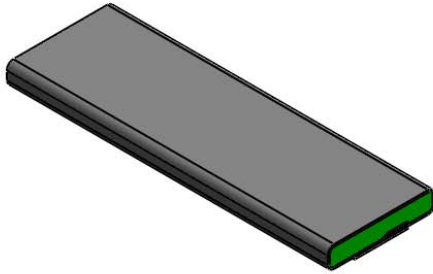


Revisions

Level		Date	By
(A)	REV PER ECO 2288	6/17/03	EL
(B)	UPDATE SHEET FORMAT	6/12/09	BEP
(C)			
(D)			

ROCHESTER DIVISION PRODUCT PRINT

The information disclosed in this drawing is confidential and the property of Schlegel Electronic Materials, INC. The use, disclosure, or reproduction of this information and related know-how is prohibited without written permission from Schlegel Electronic Materials, INC.



TOLERANCES

Profile thickness: ± 0.010 " (0.25mm)
 Profile width: ± 0.020 " (0.51mm)

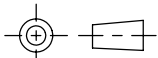
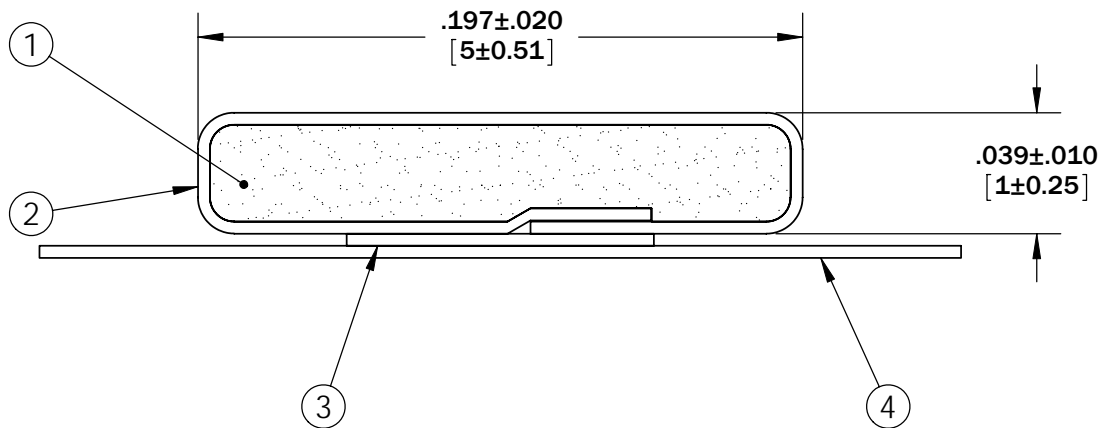
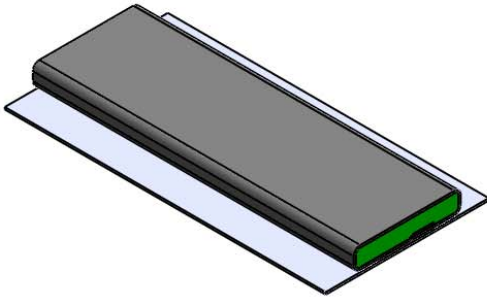
SCALE 1:1

PDR NO.:	(4)		
QUOTE NO.:	(3)	SEE B.O.M.	PSA .100" WIDE (UNLESS OTHERWISE SPECIFIED)
CUSTOMER NAME:	(2)	SEE B.O.M.	CONDUCTIVE FABRIC
CUST DWG NO.:	(1)	SEE B.O.M.	URETHANE FOAM
SIZE A	Date 4/21/2003	Item No.	RM Number
SHEET 2 OF 3		Material Description	
SCALE: 10:1	Approved By	Drawn By EJL	Title 1mm x 5mm EMI
Cad File No. UP06891B	Part No. E12xxTxxxxx	Dwg. No. UP3E0689	Rev. B

Level		Date	By
(A)	REV PER ECO 2288	6/17/03	EL
(B)	UPDATE SHEET FORMAT	6/12/09	BEP
(C)			
(D)			

ROCHESTER DIVISION PRODUCT PRINT

The information disclosed in this drawing is confidential and the property of Schlegel Electronic Materials, INC. The use, disclosure, or reproduction of this information and related know-how is prohibited without written permission from Schlegel Electronic Materials, INC.



TOLERANCES

Profile thickness: $\pm .010$ " (0.25mm)
 Profile width: $\pm .020$ " (0.51mm)



SCALE 1:1

PDR NO.:	(4)	SEE B.O.M.	RELEASE LINER .300" WIDE (UNLESS OTHERWISE SPECIFIED)
QUOTE NO.:	(3)	SEE B.O.M.	PSA .100" WIDE (UNLESS OTHERWISE SPECIFIED)
CUSTOMER NAME:	(2)	SEE B.O.M.	CONDUCTIVE FABRIC
CUST DWG NO.:	(1)	SEE B.O.M.	URETHANE FOAM
SIZE A	Date 4/21/2003	Item No.	RM Number
SHEET 3 OF 3		Material Description	
SCALE: 10:1	Approved By	Drawn By EJL	Title 1mm x 5mm EMI
Cad File No. UP06891B	Part No. E12xxZxxxxx	Dwg. No. UP3E0689	Rev. B