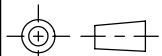
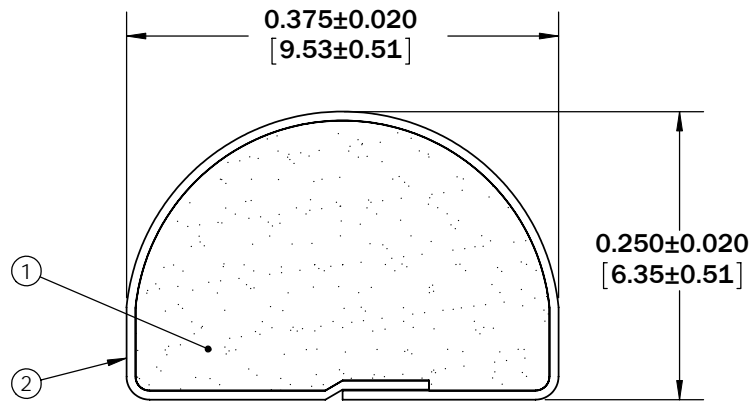
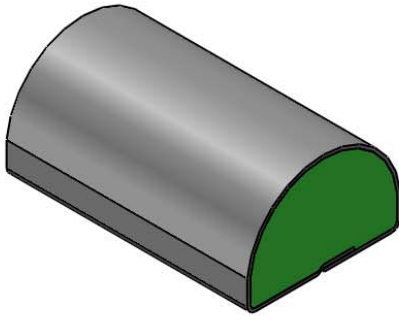


Level		Date	By
○	RELEASE	11/16/92	EL
ⓓ	REV TO PRO E	3/17/99	EL
ⓔ	UPDATE SHEET FORMAT	2/26/09	BEP
ⓕ			

ROCHESTER DIVISION PRODUCT PRINT

The information disclosed in this drawing is confidential and the property of Schlegel Electronic Materials, INC. The use, disclosure, or reproduction of this information and related know-how is prohibited without written permission from Schlegel Electronic Materials, INC.



TOLERANCES  
 Profile thickness: ±.020" (0.51mm)  
 Profile width: ±.020" (0.51mm)

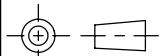
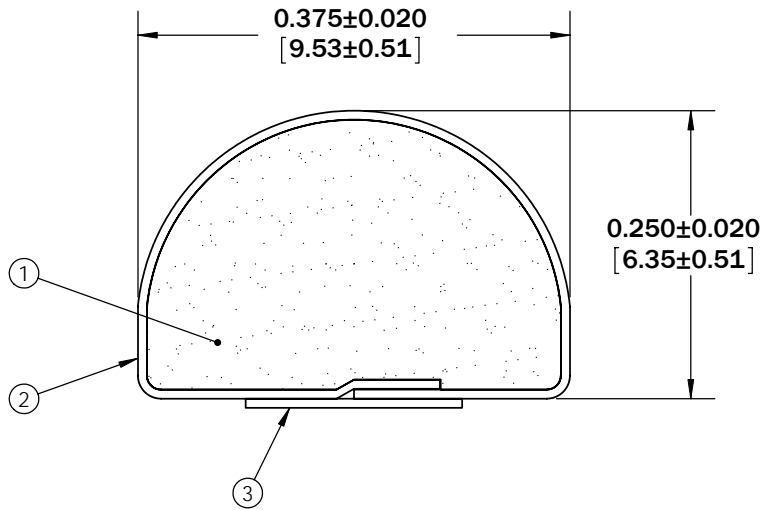
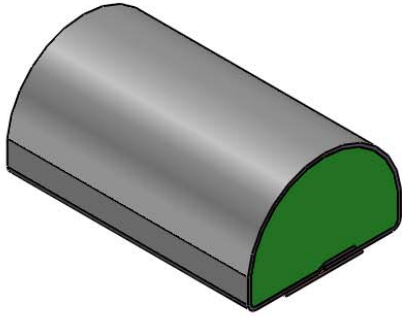


PDR NO.:			
QUOTE NO.:	③		
CUSTOMER NAME:	②	SEE B.O.M.	CONDUCTIVE FABRIC
CUST DWG NO.:	①	SEE B.O.M.	URETHANE FOAM
SIZE A	Date 11/16/1992	Item No.	RM Number
SHEET 1 OF 3		Material Description	
SCALE: 6:1	Approved By	Drawn By BEP	Title 6.4mm x 9.5mm D-SHAPE EMI
Cad File No. UP06251E	Part No. E10xxXxxxxx	Dwg. No. UP3E0625	Rev. E

Level		Date	By
○	RELEASE	11/16/92	EL
Ⓐ	REV TO PRO E	3/17/99	EL
Ⓑ	UPDATE SHEET FORMAT	2/26/09	BEP
Ⓒ			

ROCHESTER DIVISION PRODUCT PRINT

The information disclosed in this drawing is confidential and the property of Schlegel Electronic Materials, INC. The use, disclosure, or reproduction of this information and related know-how is prohibited without written permission from Schlegel Electronic Materials, INC.



TOLERANCES  
 Profile thickness: ±.020" (0.51mm)  
 Profile width: ±.020" (0.51mm)



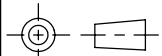
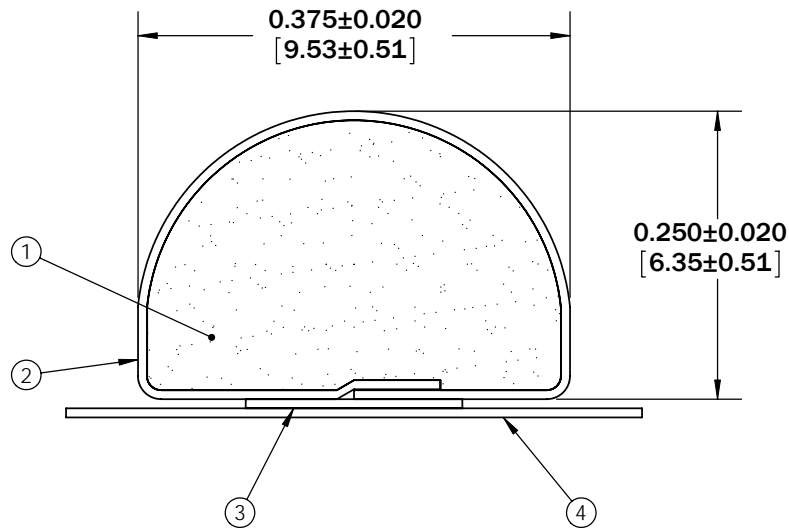
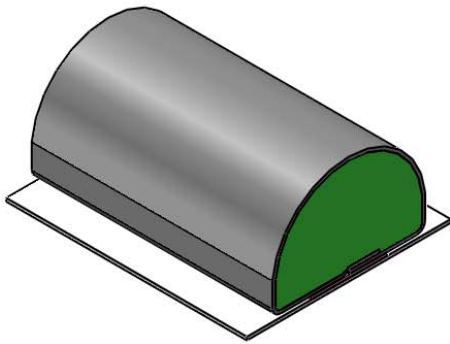
SCALE 1:1

PDR NO.:			
QUOTE NO.:	③	SEE B.O.M.	PSA .188" WIDE (UNLESS OTHERWISE SPECIFIED)
CUSTOMER NAME:	②	SEE B.O.M.	CONDUCTIVE FABRIC
CUST DWG NO.:	①	SEE B.O.M.	URETHANE FOAM
SIZE <b>A</b>	Date 11/16/1992	Item No.	RM Number
SHEET 2 OF 3		Material Description	
SCALE: 6:1	Approved By	Drawn By BEP	Title 6.4mm x 9.5mm D-SHAPE EMI
Cad File No. UP06251E	Part No. E10xxTxxxxx	Dwg. No. UP3E0625	Rev. E

Level		Date	By
○	RELEASE	11/16/92	EL
Ⓐ	REV TO PRO E	3/17/99	EL
Ⓑ	UPDATE SHEET FORMAT	2/26/09	BEP
Ⓒ			

ROCHESTER DIVISION PRODUCT PRINT

The information disclosed in this drawing is confidential and the property of Schlegel Electronic Materials, INC. The use, disclosure, or reproduction of this information and related know-how is prohibited without written permission from Schlegel Electronic Materials, INC.



TOLERANCES  
 Profile thickness: ±.020" (0.51mm)  
 Profile width: ±.020" (0.51mm)



PDR NO.:	④	SEE B.O.M.	RELEASE LINER .500" WIDE (UNLESS OTHERWISE SPECIFIED)
QUOTE NO.:	③	SEE B.O.M.	PSA .188" WIDE (UNLESS OTHERWISE SPECIFIED)
CUSTOMER NAME:	②	SEE B.O.M.	CONDUCTIVE FABRIC
CUST DWG NO.:	①	SEE B.O.M.	URETHANE FOAM
SIZE <b>A</b>	Date	11/16/1992	
SHEET 3 OF 3		Item No.	RM Number
SCALE: 6:1		Approved By	Drawn By BEP
Title		6.4mm x 9.5mm D-SHAPE EMI	
Cad File No.	UP06251E	Part No.	E10xxZxxxxx
Dwg. No.	UP3E0625	Rev.	E