

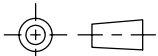
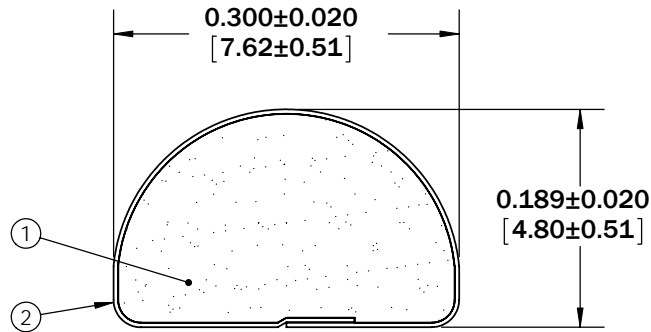
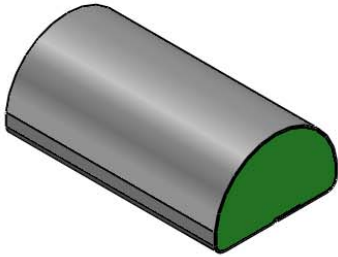


Revisions

Level		Date	By
○	RELEASE	4/16/94	EL
Ⓐ	REV PER ECO 2288	8/9/03	EL
Ⓑ	UPDATE SHEET FORMAT	2/24/09	BEP
Ⓒ			

ROCHESTER DIVISION PRODUCT PRINT

The information disclosed in this drawing is confidential and the property of Schlegel Electronic Materials, INC. The use, disclosure, or reproduction of this information and related know-how is prohibited without written permission from Schlegel Electronic Materials, INC.



TOLERANCES  
 Profile thickness:  $\pm 0.020$ " (0.51mm)  
 Profile width:  $\pm 0.020$ " (0.51mm)



SCALE 1:1

PDR NO.:			
QUOTE NO.:	Ⓒ		
CUSTOMER NAME:	Ⓓ	SEE B.O.M.	CONDUCTIVE FABRIC
CUST DWG NO.:	Ⓔ	SEE B.O.M.	URETHANE FOAM
SIZE <b>A</b>	Date 4/16/1994	Item No.	RM Number
SHEET 1 OF 3		Material Description	
SCALE: 6:1	Approved By	Drawn By E.J.L.	Title 4.8mm x 7.6mm D-SHAPE EMI
Cad File No. UC08281B	Part No. E04xxXxxxxx	Dwg. No. UC3E0828	Rev. B

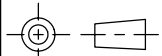
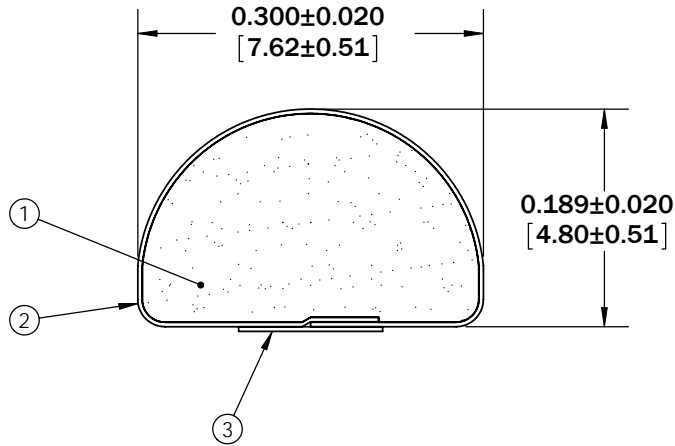
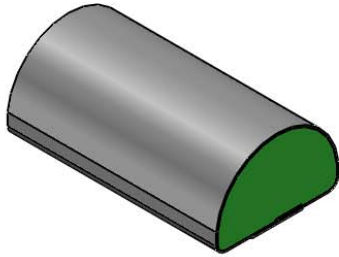


Revisions

Level		Date	By
○	RELEASE	4/16/94	EL
Ⓐ	REV PER ECO 2288	8/9/03	EL
Ⓑ	UPDATE SHEET FORMAT	2/24/09	BEP
Ⓒ			

ROCHESTER DIVISION PRODUCT PRINT

The information disclosed in this drawing is confidential and the property of Schlegel Electronic Materials, INC. The use, disclosure, or reproduction of this information and related know-how is prohibited without written permission from Schlegel Electronic Materials, INC.



TOLERANCES  
 Profile thickness:  $\pm 0.020$ " (0.51mm)  
 Profile width:  $\pm 0.020$ " (0.51mm)

  
 SCALE 1:1

PDR NO.:			
QUOTE NO.:	③	SEE B.O.M.	PSA .125" WIDE (UNLESS OTHERWISE SPECIFIED)
CUSTOMER NAME:	②	SEE B.O.M.	CONDUCTIVE FABRIC
CUST DWG NO.:	①	SEE B.O.M.	URETHANE FOAM
SIZE A	Date 4/16/1994	Item No.	RM Number
SHEET 2 OF 3		Material Description	
SCALE: 6:1	Approved By	Drawn By EJL	Title 4.8mm x 7.6mm D-SHAPE EMI
Cad File No. UC08281B	Part No. E04xxTxxxxx	Dwg. No. UC3E0828	Rev. B

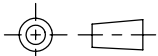
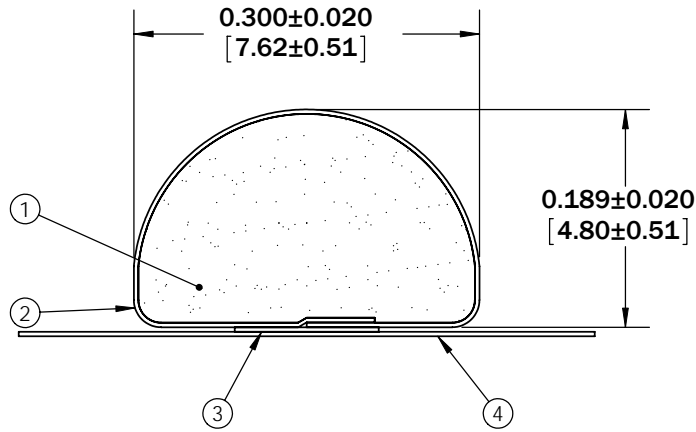
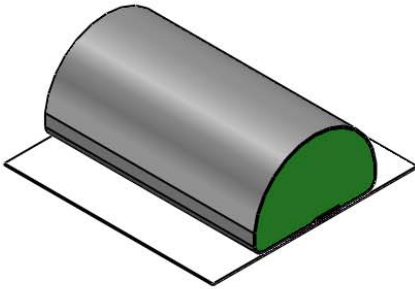


Revisions

Level		Date	By
○	RELEASE	4/16/94	EL
Ⓐ	REV PER ECO 2288	8/9/03	EL
Ⓑ	UPDATE SHEET FORMAT	2/24/09	BEP
Ⓒ			

ROCHESTER DIVISION PRODUCT PRINT

The information disclosed in this drawing is confidential and the property of Schlegel Electronic Materials, INC. The use, disclosure, or reproduction of this information and related know-how is prohibited without written permission from Schlegel Electronic Materials, INC.



TOLERANCES  
 Profile thickness: ±.020" (0.51mm)  
 Profile width: ±.020" (0.51mm)



PDR NO.:	④	SEE B.O.M.	RELEASE LINER .500" WIDE (UNLESS OTHERWISE SPECIFIED)
QUOTE NO.:	③	SEE B.O.M.	PSA .125" WIDE (UNLESS OTHERWISE SPECIFIED)
CUSTOMER NAME:	②	SEE B.O.M.	CONDUCTIVE FABRIC
CUST DWG NO.:	①	SEE B.O.M.	URETHANE FOAM
SIZE <b>A</b>	Date 4/16/1994		
SHEET 3 OF 3		Item No.	Material Description
SCALE: 6:1	Approved By	Drawn By E.JL	Title 4.8mm x 7.6mm D-SHAPE EMI
Cad File No. UC08281B	Part No. E04xxZxxxxx	Dwg. No. UC3E0828	Rev. B