

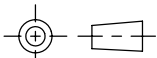
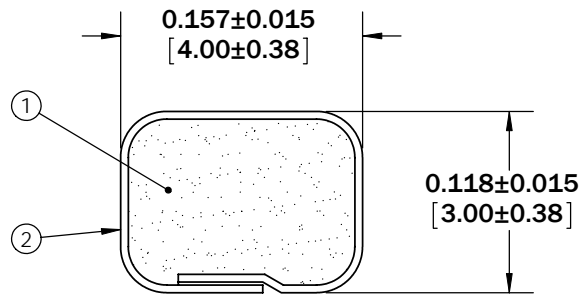
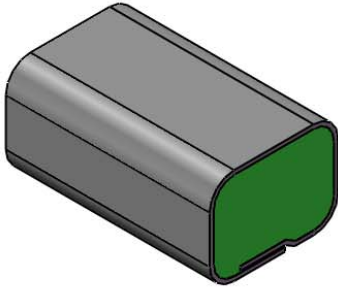


Revisions

Level		Date	By
○	RELEASE	12/22/98	EL
Ⓐ	REV PER ECO 2288	2/12/03	EL
Ⓑ	UPDATE SHEET FORMAT	2/20/09	BEP
Ⓒ			

ROCHESTER DIVISION PRODUCT PRINT

The information disclosed in this drawing is confidential and the property of Schlegel Electronic Materials, INC. The use, disclosure, or reproduction of this information and related know-how is prohibited without written permission from Schlegel Electronic Materials, INC.



TOLERANCES  
 Profile thickness:  $\pm 0.015"$  (0.38mm)  
 Profile width:  $\pm 0.015"$  (0.38mm)



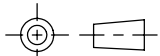
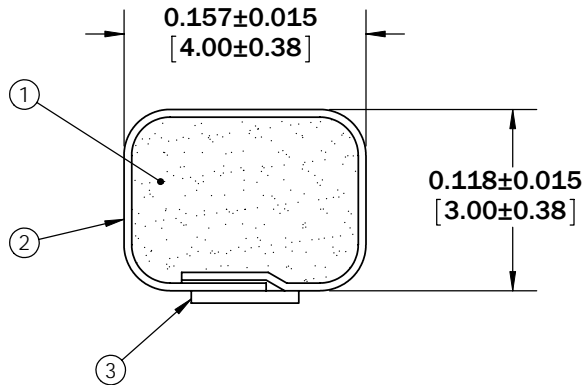
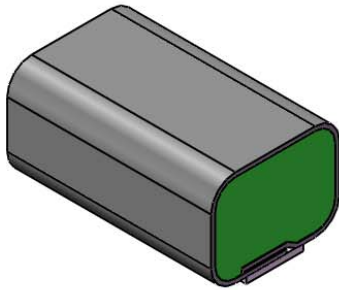
SCALE 1:1

PDR NO.:			
QUOTE NO.:	③		
CUSTOMER NAME:	②	SEE B.O.M.	CONDUCTIVE FABRIC
CUST DWG NO.:	①	SEE B.O.M.	URETHANE FOAM
SIZE <b>A</b>	Date 12/22/98		
	SHEET 1 OF 3	Item No.	RM Number
			Material Description
SCALE: 8:1	Approved By	Drawn By	Title 3mm x 4mm EMI
Cad File No. UP12791B	Part No. E01xxXxxxxx	Dwg. No. UP3E1279	Rev. B

Level		Date	By
○	RELEASE	12/22/98	EL
Ⓐ	REV PER ECO 2288	2/12/03	EL
Ⓑ	UPDATE SHEET FORMAT	2/20/09	BEP
Ⓒ			

ROCHESTER DIVISION PRODUCT PRINT

The information disclosed in this drawing is confidential and the property of Schlegel Electronic Materials, INC. The use, disclosure, or reproduction of this information and related know-how is prohibited without written permission from Schlegel Electronic Materials, INC.



TOLERANCES  
 Profile thickness:  $\pm 0.015$ " (0.38mm)  
 Profile width:  $\pm 0.015$ " (0.38mm)



SCALE 1:1

PDR NO.:			
QUOTE NO.:	③	SEE B.O.M.	PSA .070" WIDE (UNLESS OTHERWISE SPECIFIED)
CUSTOMER NAME:	②	SEE B.O.M.	CONDUCTIVE FABRIC
CUST DWG NO.:	①	SEE B.O.M.	URETHANE FOAM
SIZE <b>A</b>	Date 12/22/98		
SHEET 2 OF 3		Item No.	Material Description
SCALE: 8:1	Approved By	Drawn By	Title 3mm x 4mm EMI
Cad File No. UP12791B	Part No. E01xxTxxxxx	Dwg. No. UP3E1279	Rev. B

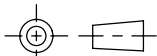
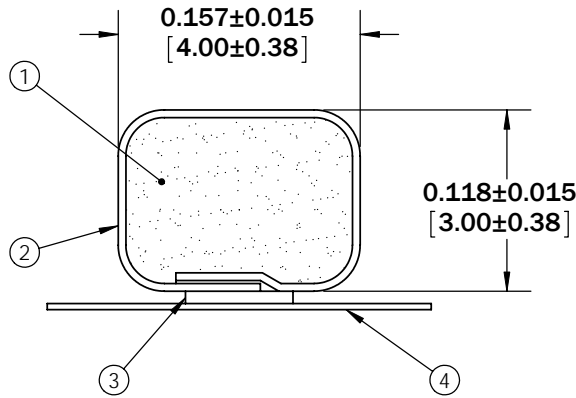
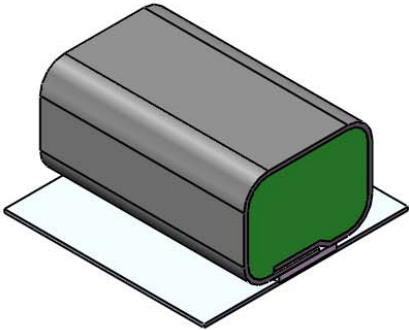


Revisions

Level		Date	By
○	RELEASE	12/22/98	EL
Ⓐ	REV PER ECO 2288	2/12/03	EL
Ⓑ	UPDATE SHEET FORMAT	2/20/09	BEP
Ⓒ			

ROCHESTER DIVISION PRODUCT PRINT

The information disclosed in this drawing is confidential and the property of Schlegel Electronic Materials, INC. The use, disclosure, or reproduction of this information and related know-how is prohibited without written permission from Schlegel Electronic Materials, INC.



TOLERANCES  
 Profile thickness:  $\pm 0.015$ " (0.38mm)  
 Profile width:  $\pm 0.015$ " (0.38mm)



SCALE 1:1

PDR NO.:	④	SEE B.O.M.	RELEASE LINER .250" WIDE (UNLESS OTHERWISE SPECIFIED)
QUOTE NO.:	③	SEE B.O.M.	PSA .070" WIDE (UNLESS OTHERWISE SPECIFIED)
CUSTOMER NAME:	②	SEE B.O.M.	CONDUCTIVE FABRIC
CUST DWG NO.:	①	SEE B.O.M.	URETHANE FOAM
SIZE A	Date	12/22/98	
SHEET 3 OF 3		Item No.	RM Number
SCALE: 8:1		Approved By	Drawn By
Title		3mm x 4mm EMI	
Cad File No.	UP12791B	Part No.	E01xxZxxxxx
Dwg. No.	UP3E1279	Rev.	B